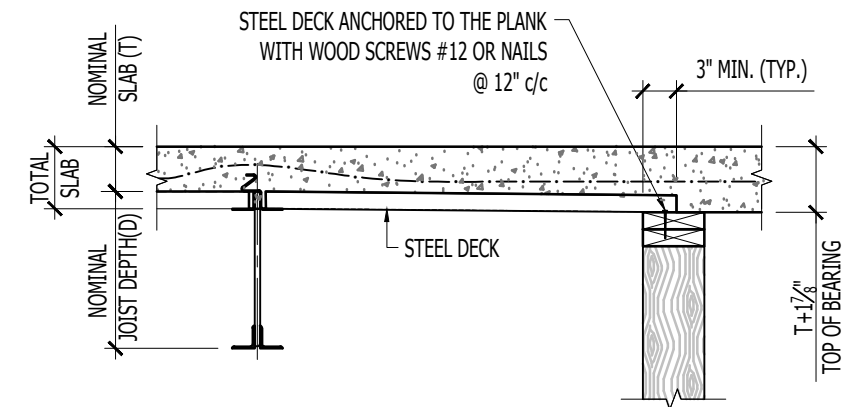
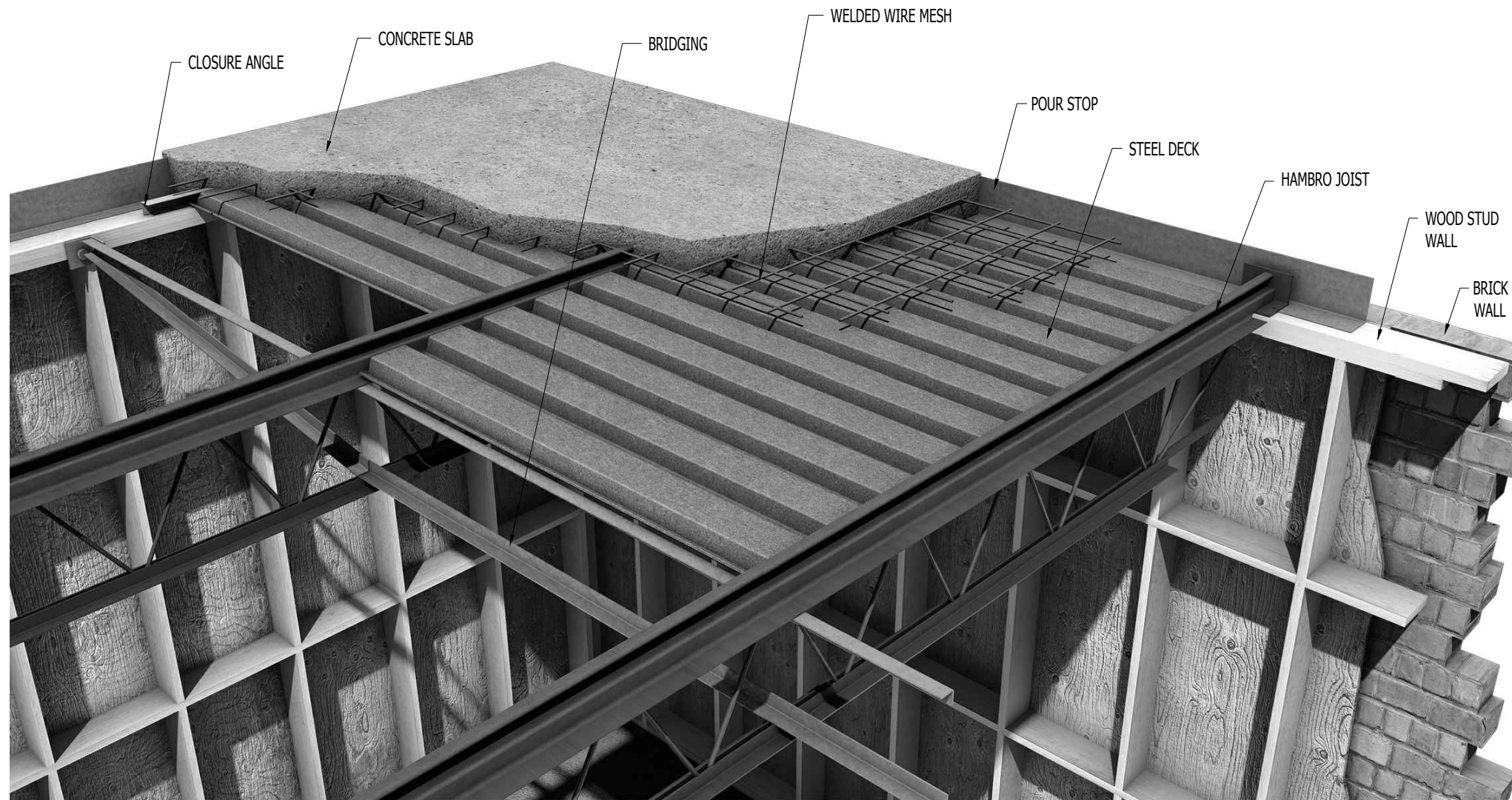
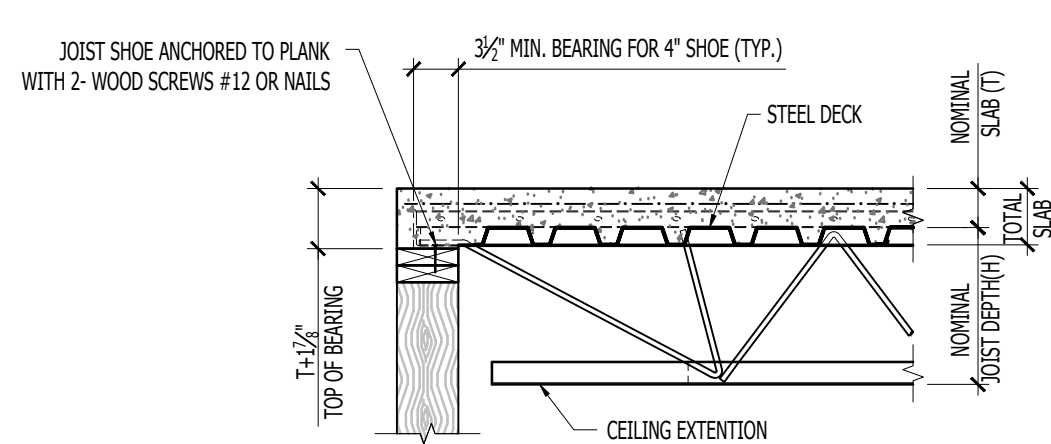


MD2000 STANDARD SECTIONS TO WOOD WALL

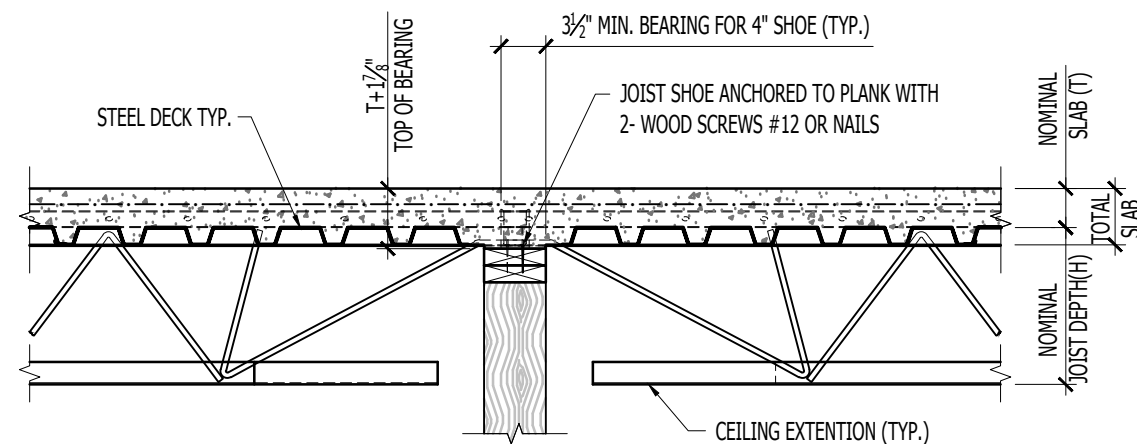
NOTE:
WOOD WALL AND TOP PLATE CAPACITY ACCORDING TO THE STRUCTURAL DRAWINGS



$T+1/8"$ = SLAB THICKNESS + SHOE THICKNESS
PARALLEL TO A WOOD WALL



$T+1/8"$ = SLAB THICKNESS + SHOE THICKNESS
PERPENDICULAR TO A WOOD WALL



$T+1/8"$ = SLAB THICKNESS + SHOE THICKNESS
PERPENDICULAR TO A WOOD WALL