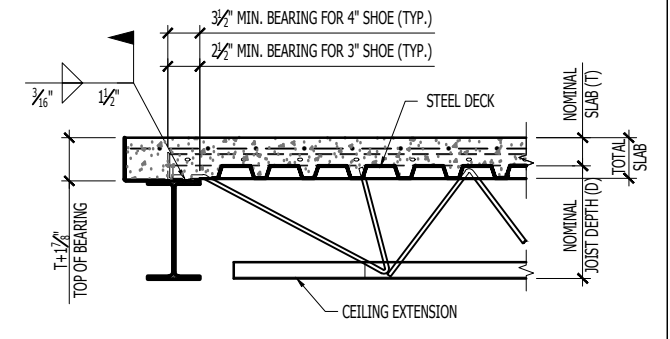
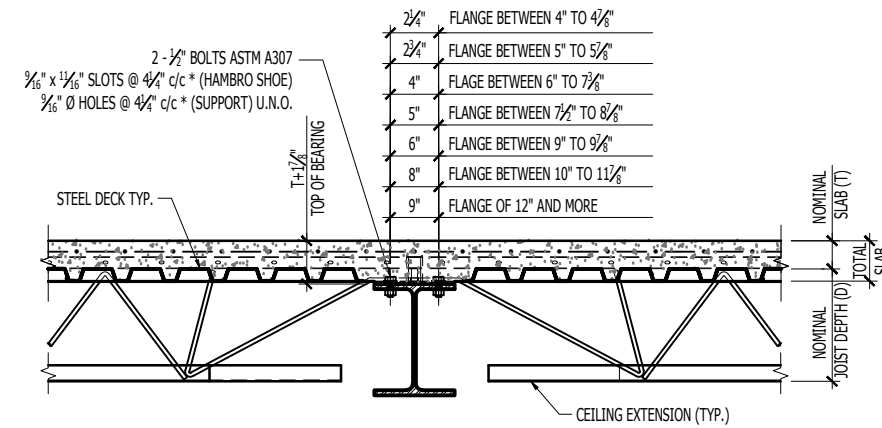
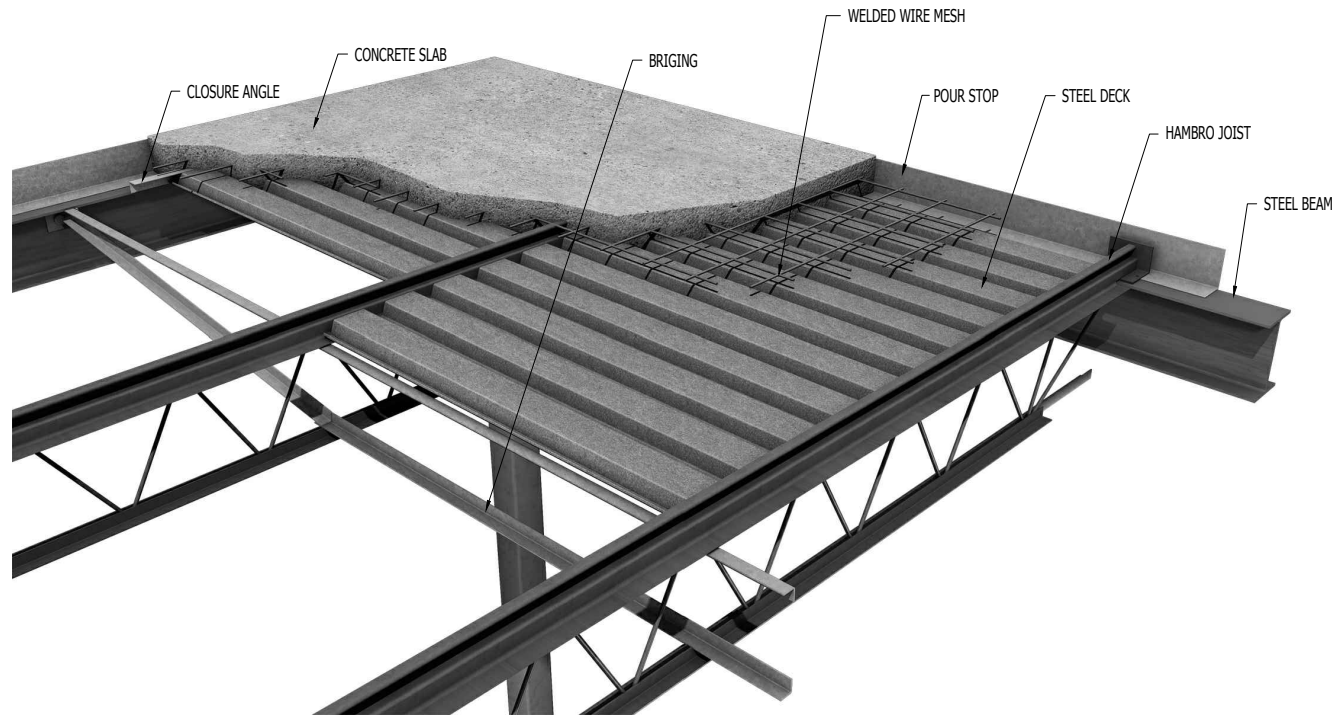
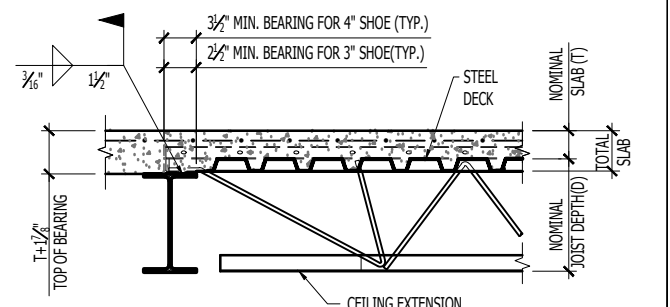


MD2000 STANDARD SECTIONS TO STEEL

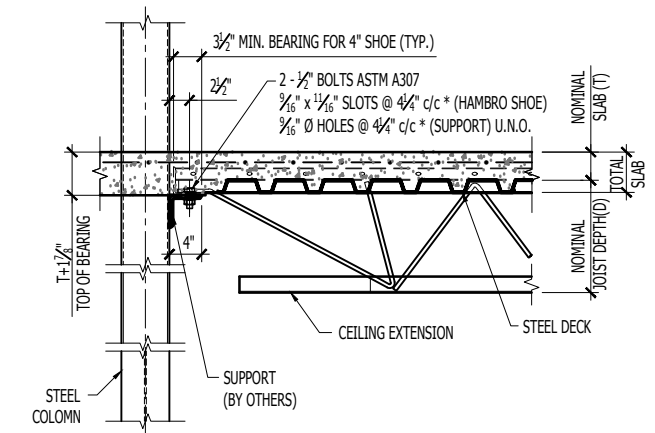


T+1 1/8" = SLAB THICKNESS + SHOE THICKNESS
PERPENDICULAR TO A STEEL BEAM



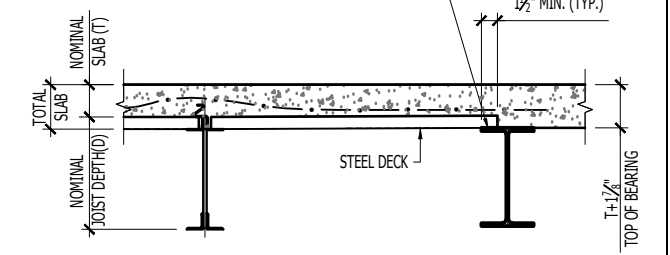
T+1 1/8" = SLAB THICKNESS + SHOE THICKNESS
PERPENDICULAR TO A STEEL BEAM

T+1 1/8" = SLAB THICKNESS + SHOE THICKNESS
BOLTED JOISTS ON STEEL BEAM
* WHEN DEEP SHOE, THE C/C OF HOLE IS DIFFERENT, CONSULT THE APPROPRIATE DETAILS ON PLAN

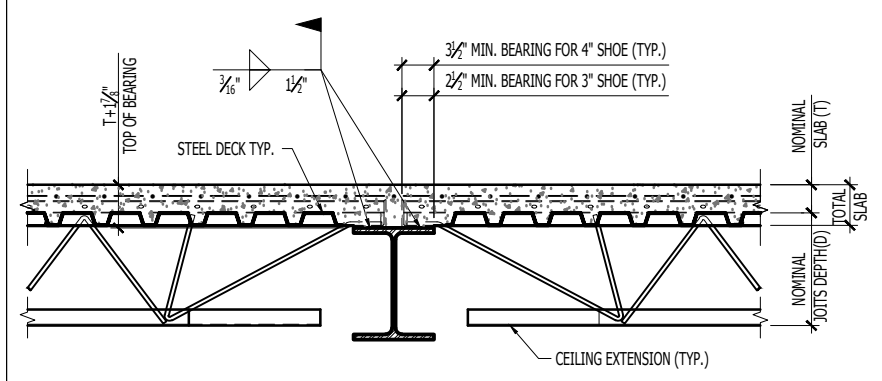


T+1 1/8" = SLAB THICKNESS + SHOE THICKNESS
BOLTED JOISTS ON STEEL COLUMN
* WHEN DEEP SHOE, THE C/C OF HOLE IS DIFFERENT, CONSULT THE APPROPRIATE DETAILS ON PLAN

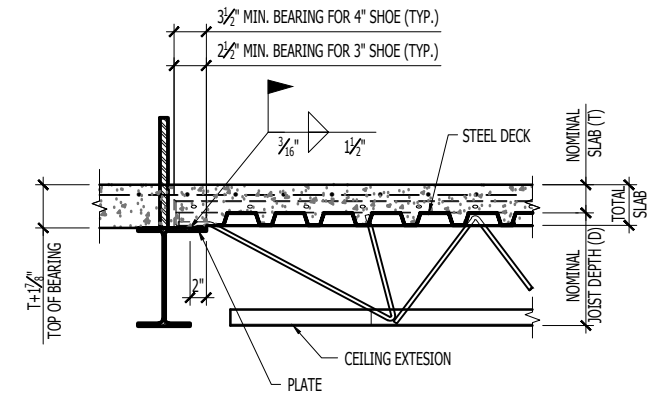
HILTI STEEL DECK FASTENERS:
-HSN24 FOR 3/8" < t < 3/4"
-EPN19 FOR t > 3/4"
t=MINIMUM THICKNESS OF THE SUPPORTING STEEL
OR #12 SELF TAPPING FASTENERS @ 12" c/c OR 3/8" Ø 12"



T+1 1/8" = SLAB THICKNESS + SHOE THICKNESS
PARALLEL TO A STEEL BEAM



T+1 1/8" = SLAB THICKNESS + SHOE THICKNESS
PERPENDICULAR TO A STEEL BEAM



T+1 1/8" = SLAB THICKNESS + SHOE THICKNESS
PERPENDICULAR TO A STEEL BEAM WITH BRACING