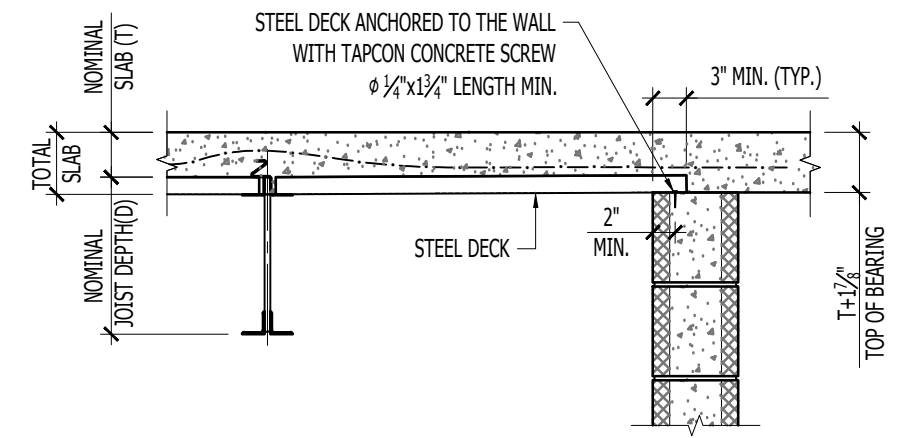
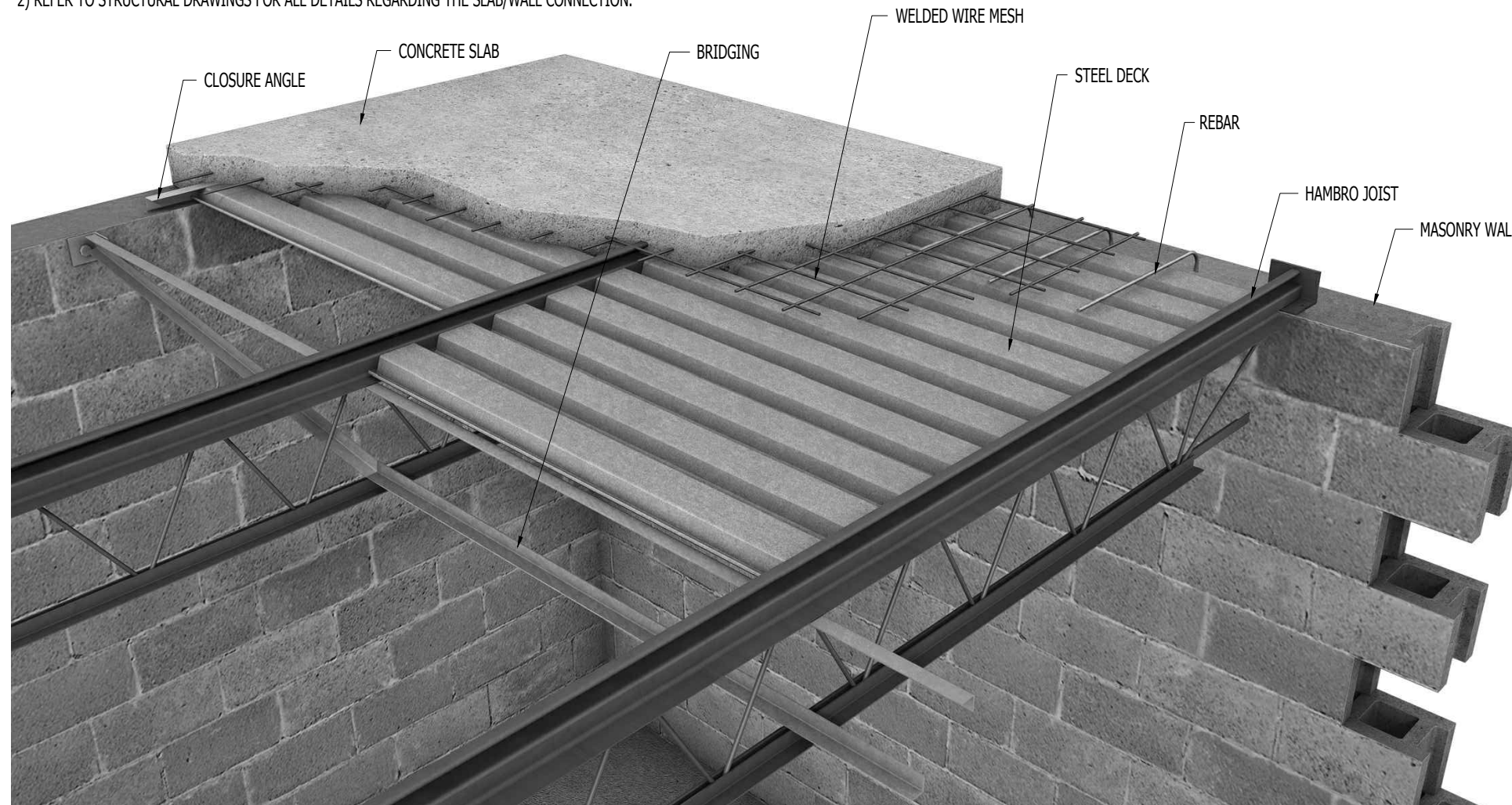


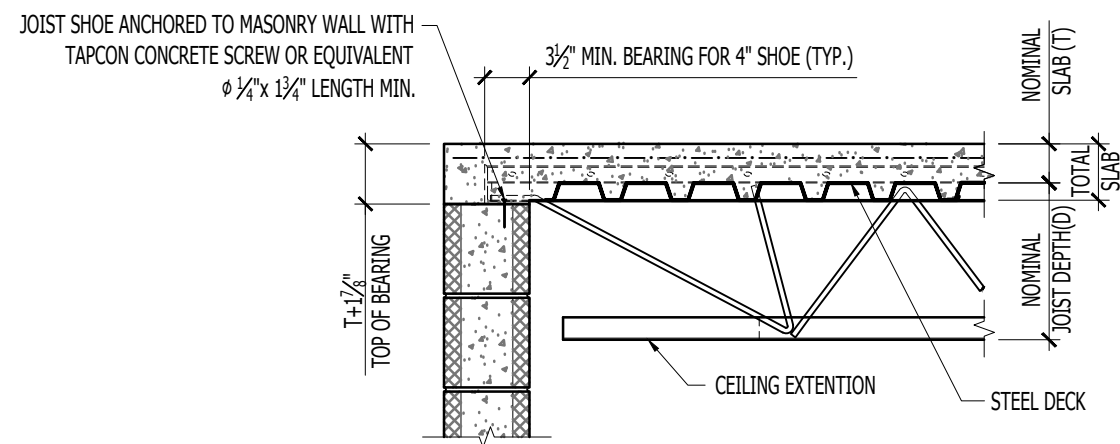
MD2000 STANDARD SECTIONS TO MASONRY WALL

NOTE:

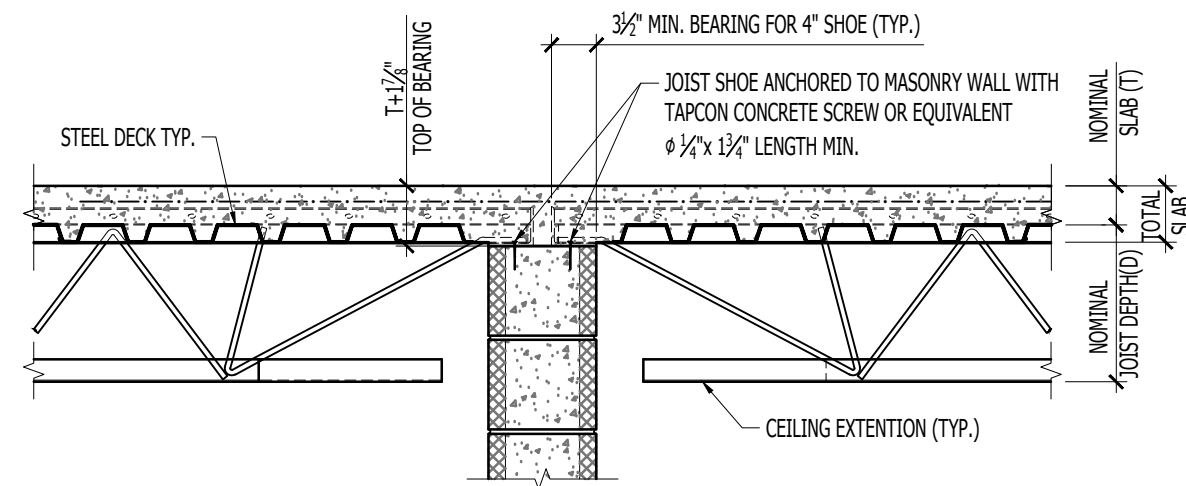
- 1) MASONRY WALL ACCORDING TO THE STRUCTURAL DRAWINGS.
- 2) REFER TO STRUCTURAL DRAWINGS FOR ALL DETAILS REGARDING THE SLAB/WALL CONNECTION.



$T+1\frac{1}{8}" = \text{SLAB THICKNESS} + \text{SHOE THICKNESS}$
PARALLEL TO A MASONRY WALL



$T+1\frac{1}{8}" = \text{SLAB THICKNESS} + \text{SHOE THICKNESS}$
PERPENDICULAR TO A MASONRY WALL



$T+1\frac{1}{8}" = \text{SLAB THICKNESS} + \text{SHOE THICKNESS}$
PERPENDICULAR TO A MASONRY WALL