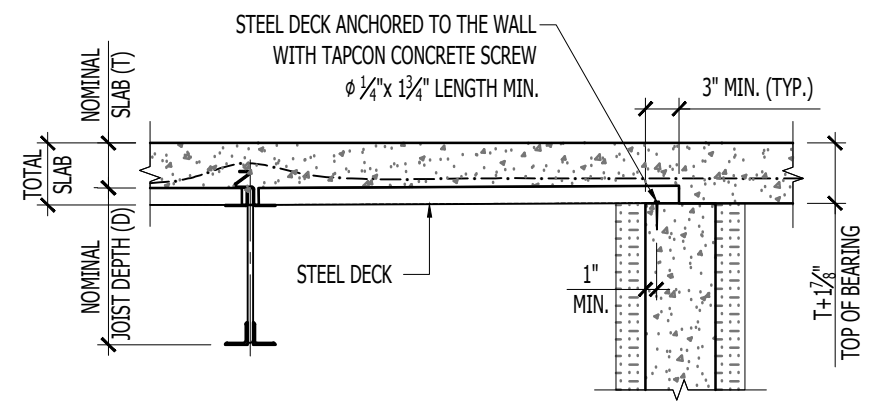
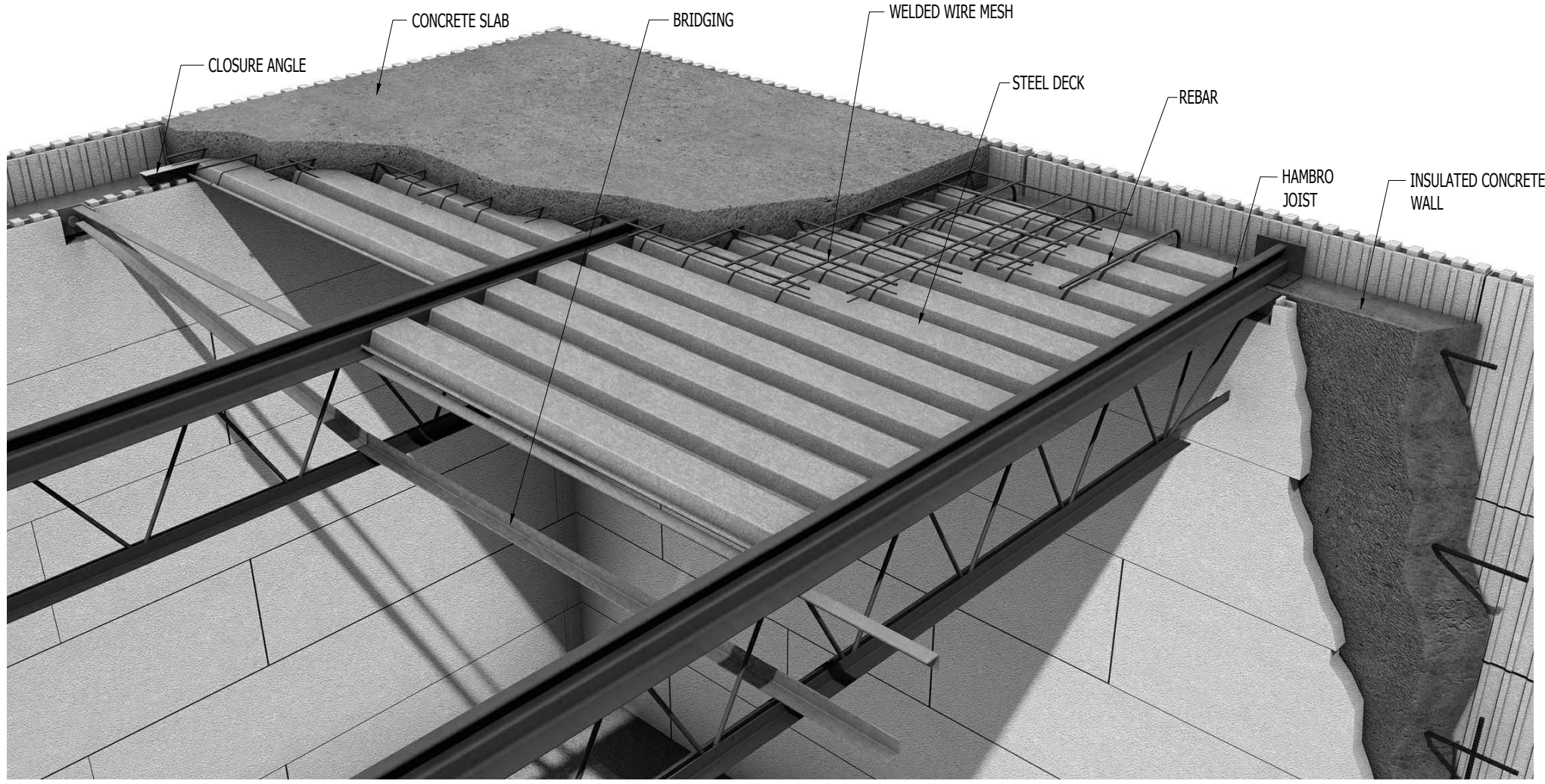


MD2000 STANDARD SECTIONS TO INSULATED CONCRETE WALL

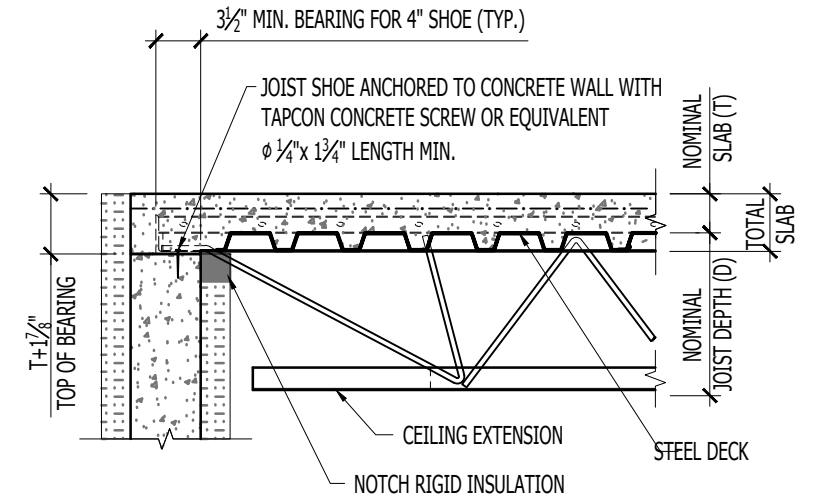
NOTE:

- 1) INSULATED CONCRETE WALL ACCORDING TO THE STRUCTURAL DRAWINGS.
- 2) REFER TO STRUCTURAL DRAWINGS FOR ALL DETAILS REGARDING THE SLAB/WALL CONNECTION.



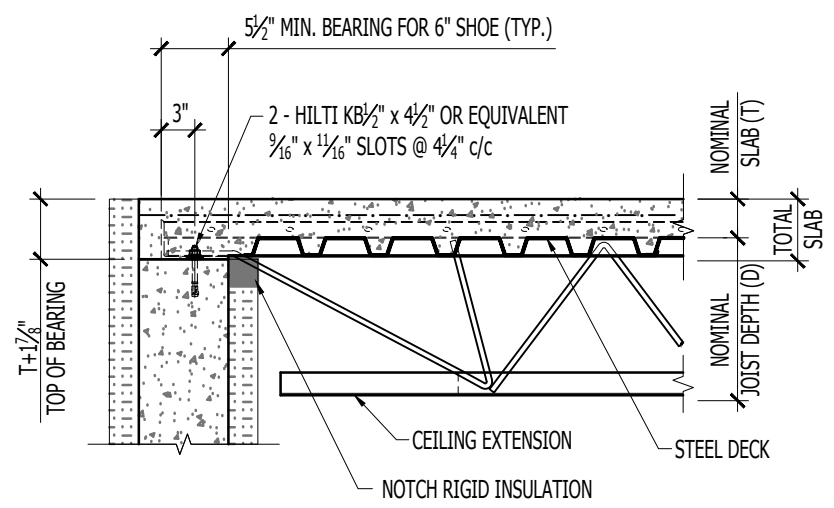
$T + 1\frac{7}{8}'' = \text{SLAB THICKNESS} + \text{SHOE THICKNESS}$

PARALLEL TO AN INSULATED CONCRETE WALL



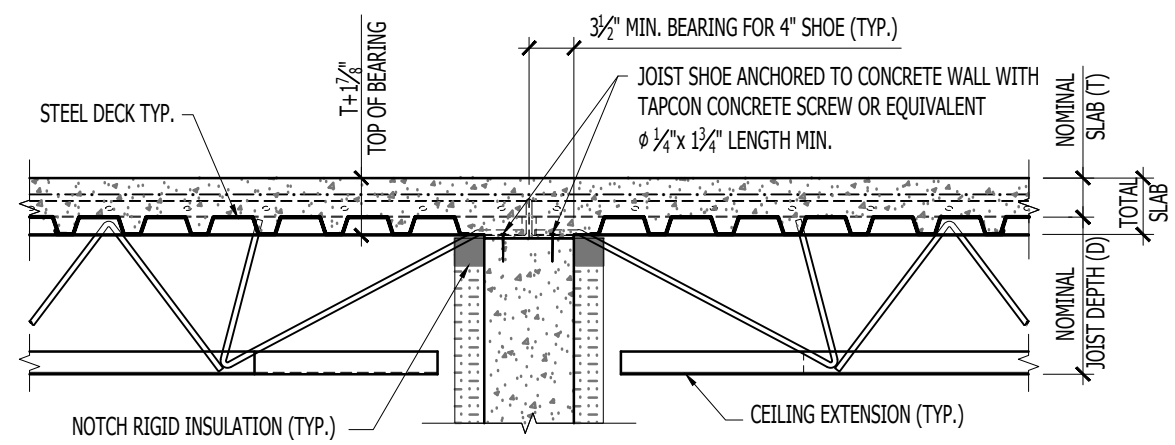
$T + 1\frac{7}{8}'' = \text{SLAB THICKNESS} + \text{SHOE THICKNESS}$

PERPENDICULAR TO AN INSULATED CONCRETE WALL



$T + 1\frac{7}{8}'' = \text{SLAB THICKNESS} + \text{SHOE THICKNESS}$

(T / *) BOLTED JOIST ON INSULATED CONCRETE WALL



$T + 1\frac{7}{8}'' = \text{SLAB THICKNESS} + \text{SHOE THICKNESS}$

PERPENDICULAR TO AN INSULATED CONCRETE WALL