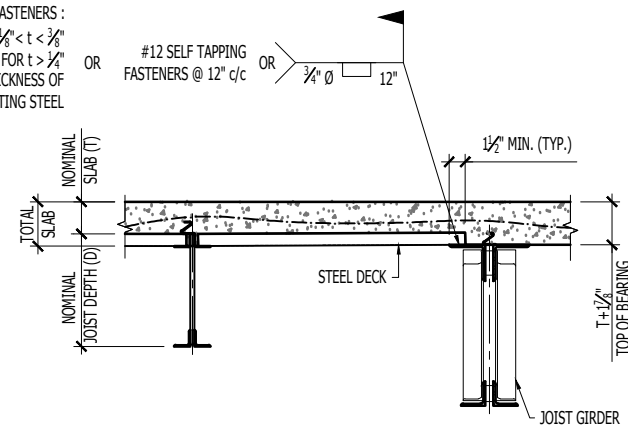


MD2000 STANDARD SECTIONS TO HAMBRO GIRDER

NOTE:
WHEN MULTIPLE STEEL DECK CONNECTION OPTIONS ARE SPECIFIED, THE CHOSEN ONE
MUST BE IN ACCORDANCE WITH THE PROJECT CONSULTING ENGINEER.



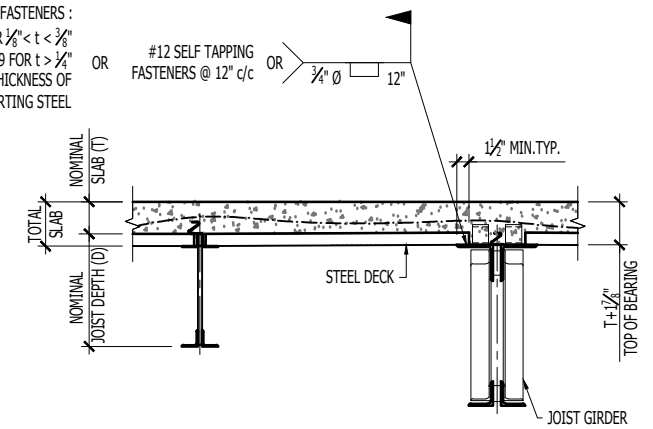
HILTI STEEL DECK FASTENERS :
-HSN24 FOR $\frac{3}{8}'' < t < \frac{3}{4}''$
-EPN 19 FOR $t > \frac{3}{4}''$
t=MINIMUM THICKNESS OF
THE SUPPORTING STEEL



$T + \frac{1}{8}'' = \text{SLAB THICKNESS} + \text{SHOE THICKNESS}$

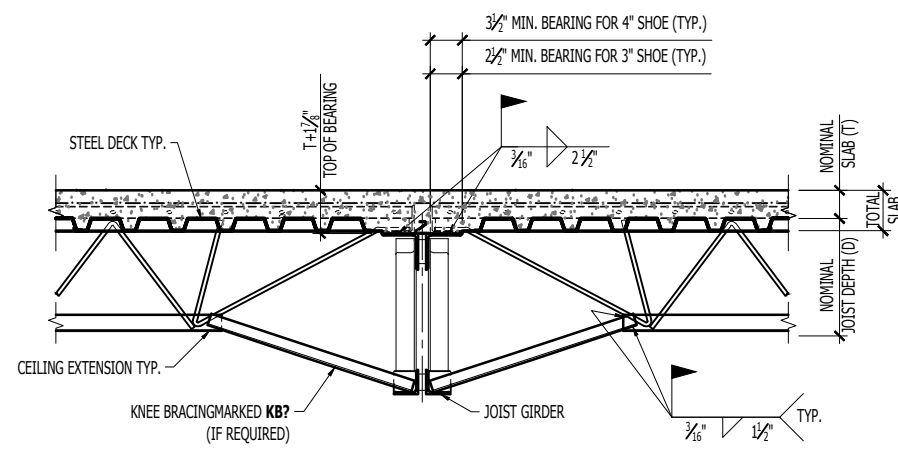
PARALLEL TO A GIRDER

HILTI STEEL DECK FASTENERS :
-HSN24 FOR $\frac{3}{8}'' < t < \frac{3}{4}''$
-EPN 19 FOR $t > \frac{3}{4}''$
t=MINIMUM THICKNESS OF
THE SUPPORTING STEEL



$T + \frac{1}{8}'' = \text{SLAB THICKNESS} + \text{SHOE THICKNESS}$

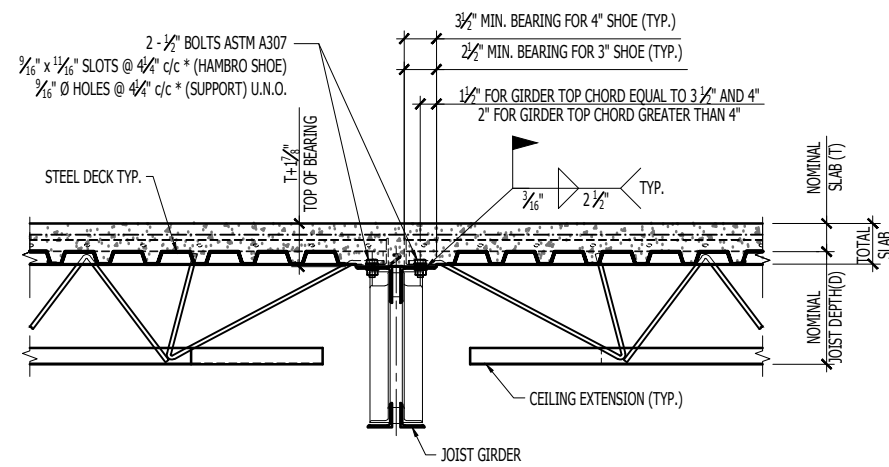
PARALLEL TO A GIRDER WITH SHEAR CONNECTORS



$T + \frac{1}{8}'' = \text{SLAB THICKNESS} + \text{SHOE THICKNESS}$

STANDARD KNEE BRACING CONNECTION ON GIRDER

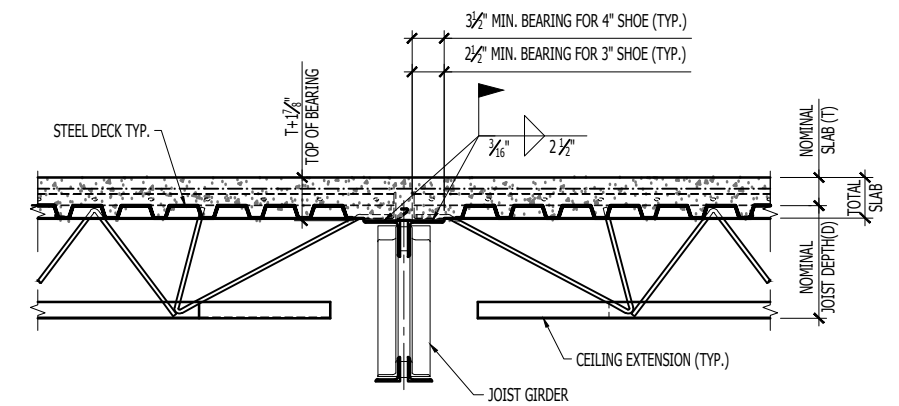
(SEE — ON DRAWING)
(SIZE TO BE DETERMINED)



$T + \frac{1}{8}'' = \text{SLAB THICKNESS} + \text{SHOE THICKNESS}$

BOLTED JOISTS TO HAMBRO GIRDER

* WHEN DEEP SHOE, THE c/c OF HOLE IS DIFFERENT, CONSULT THE APPROPRIATE DETAILS ON PLAN



$T + \frac{1}{8}'' = \text{SLAB THICKNESS} + \text{SHOE THICKNESS}$

PERPENDICULAR TO A GIRDER