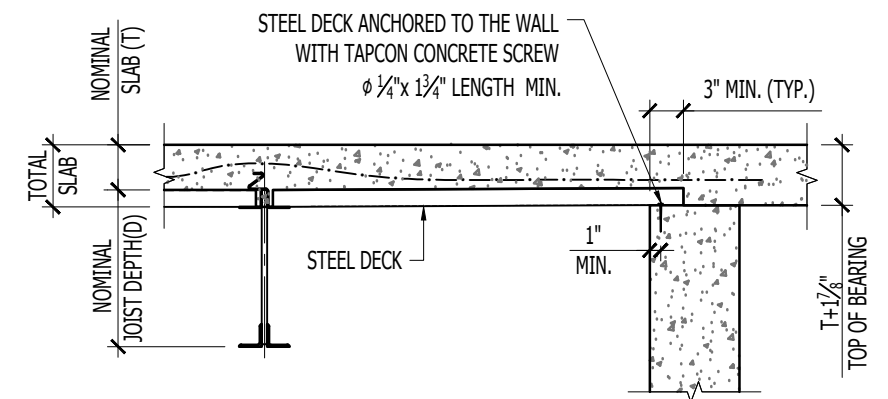
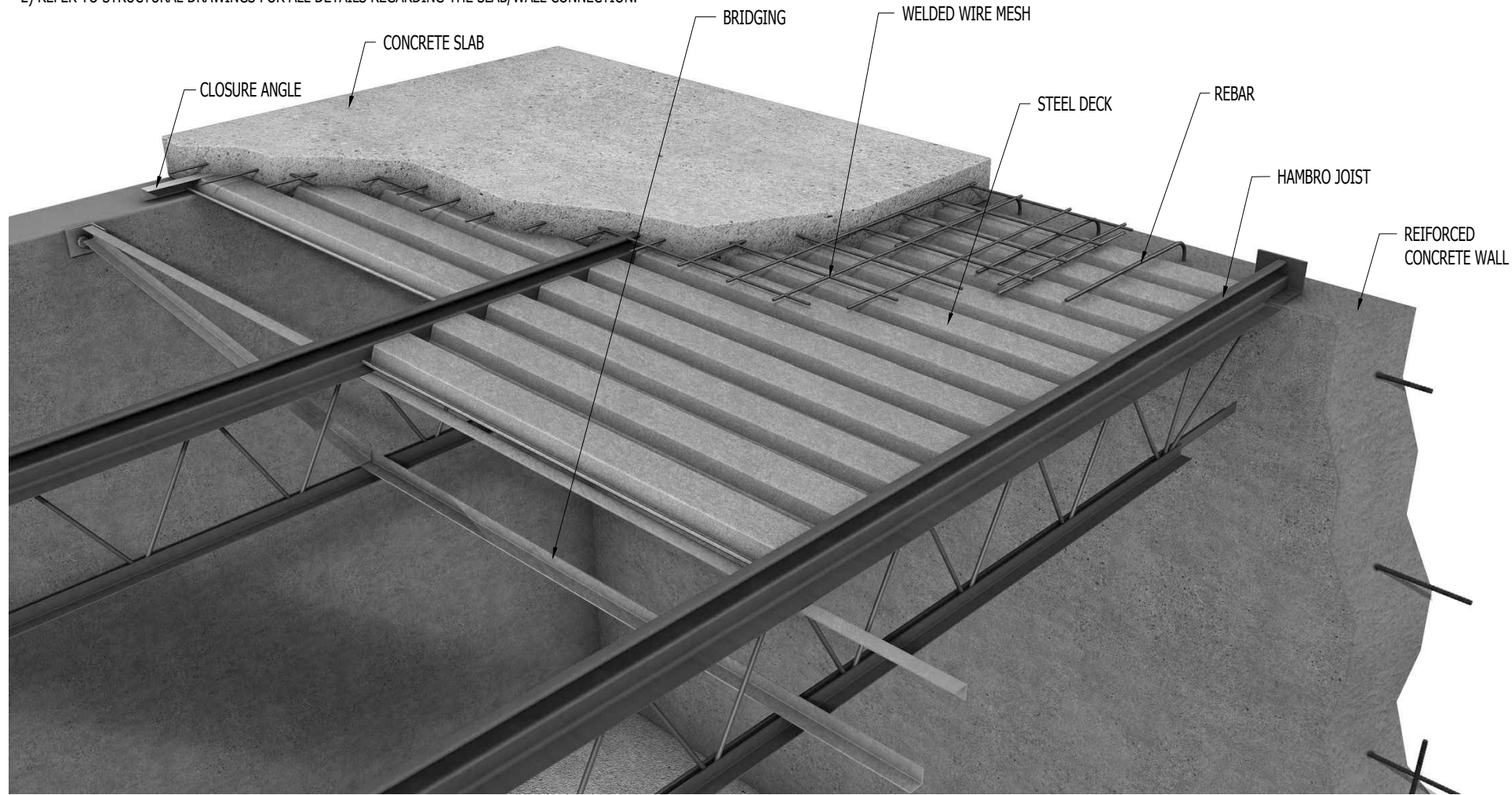


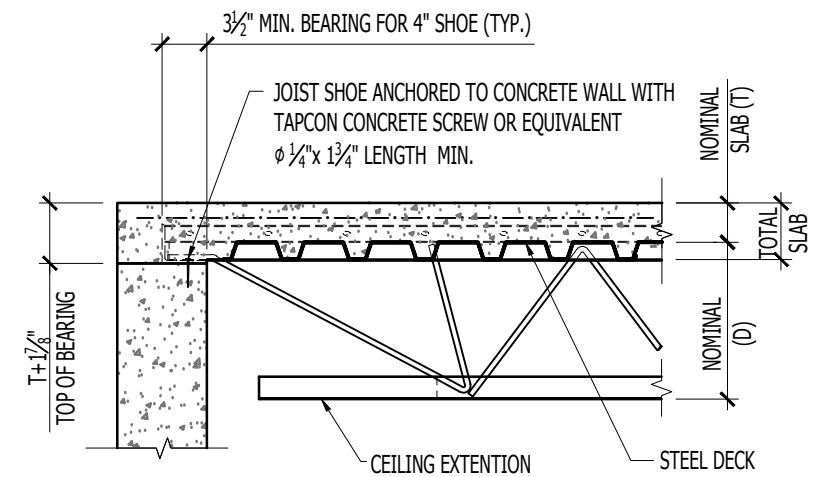
MD2000 STANDARD SECTIONS TO CONCRETE WALL

NOTE:

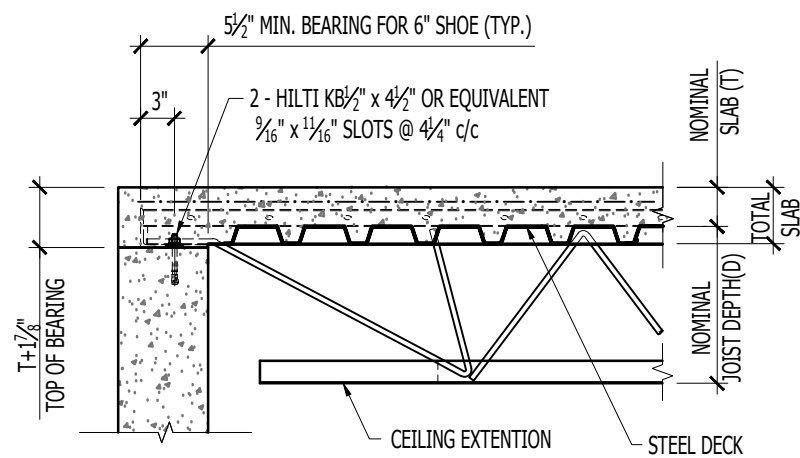
- 1) CONCRETE WALL ACCORDING TO THE STRUCTURAL DRAWINGS.
- 2) REFER TO STRUCTURAL DRAWINGS FOR ALL DETAILS REGARDING THE SLAB/WALL CONNECTION.



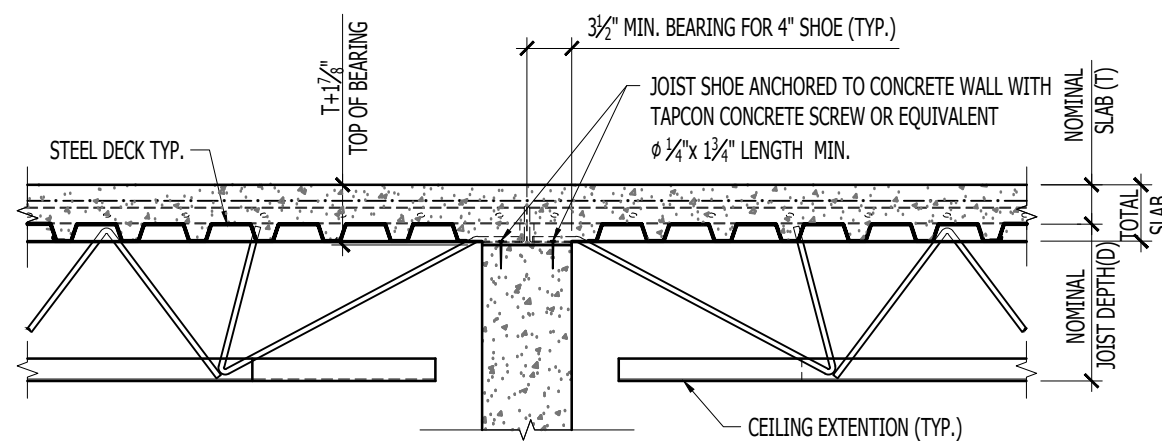
$T + 1\frac{1}{8}" = \text{SLAB THICKNESS} + \text{SHOE THICKNESS}$
PARALLEL TO A CONCRETE WALL



$T + 1\frac{1}{8}" = \text{SLAB THICKNESS} + \text{SHOE THICKNESS}$
PERPENDICULAR TO A CONCRETE WALL



$T + 1\frac{1}{8}" = \text{SLAB THICKNESS} + \text{SHOE THICKNESS}$
 (---TJ---) **BOLTED JOIST ON CONCRETE WALL**



$T + 1\frac{1}{8}" = \text{SLAB THICKNESS} + \text{SHOE THICKNESS}$
PERPENDICULAR TO A CONCRETE WALL