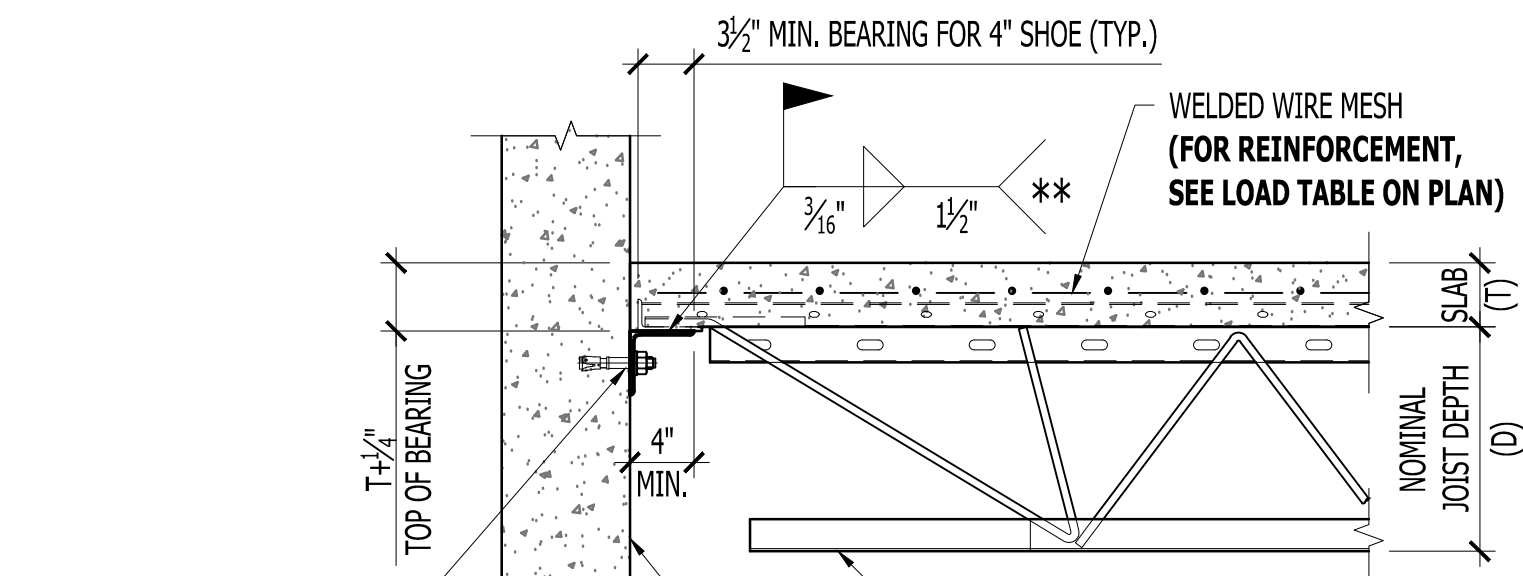


(A) = (T) IF NO JOIST BEARING ON HEADER  
 (T)+1/4" IF JOIST BEARING ON HEADER  
 (B) = 1/2" IF NO JOIST BEARING ON HEADER  
 3/4" IF JOIST BEARING ON HEADER

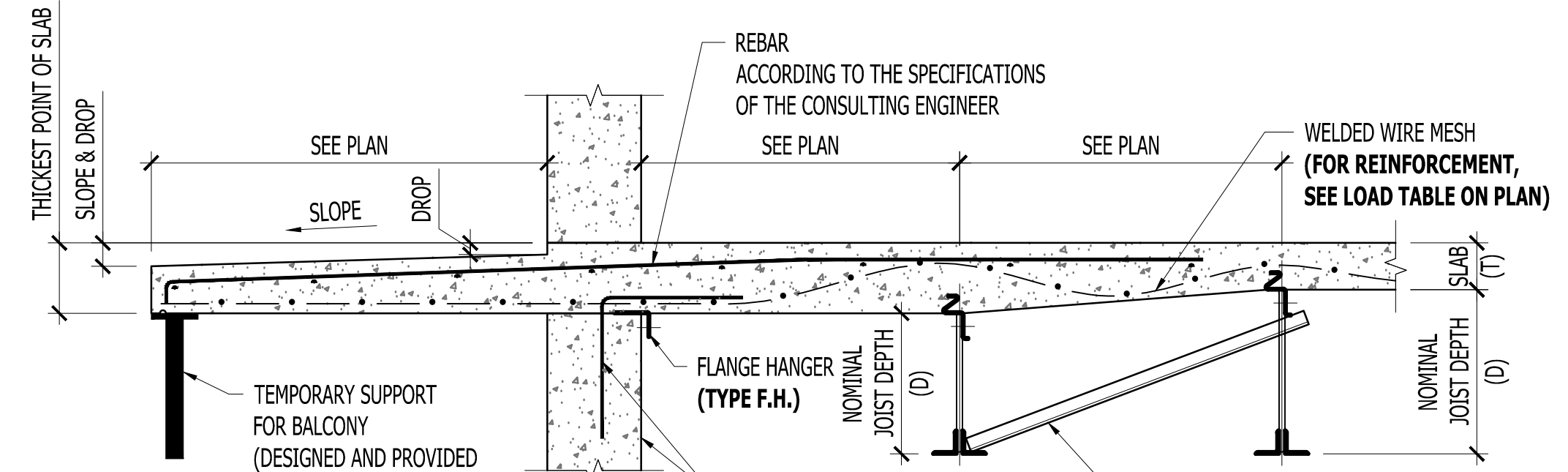
**TYPICAL DETAIL OF  
 HEADER BEAM ON JOIST**



T+1/4" = SLAB THICKNESS + SHOE THICKNESS

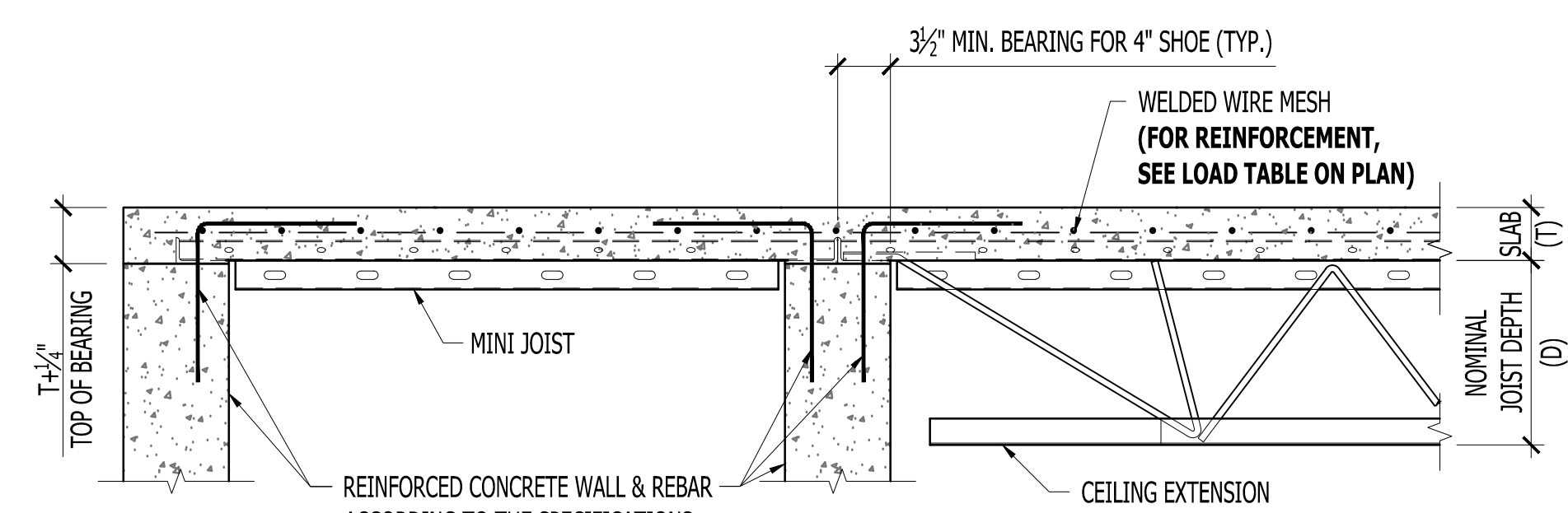
\*\* WELD JOIST TO STEEL BEAM OR WITH THE AGREEMENT OF THE CONSULTING ENGINEER, USE 2 HILTI (X-U22) OR EQUIVALENT, INSTALLED ACCORDING TO THE MANUFACTURING SPECIFICATIONS.

**PERPENDICULAR TO A CONCRETE WALL  
 BEARING ON ANGLE**



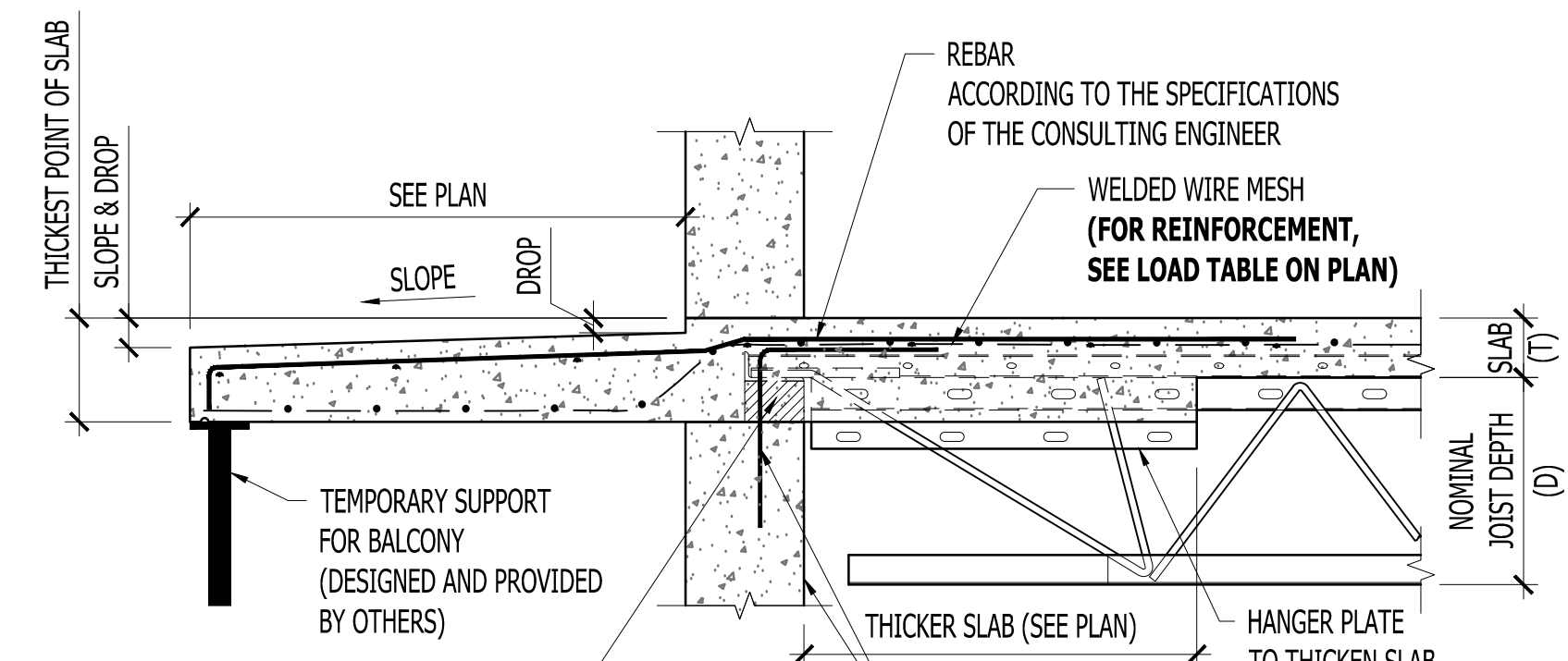
**IMPORTANT:**  
 BRIDGING ANGLES TO BE INSTALLED AFTER FORMS ARE STRIPPED BUT BEFORE REMOVAL OF BALCONY TEMPORARY SUPPORTS.

**PARALLEL TO A CONCRETE WALL WITH  
 CANTILEVERED BALCONY**

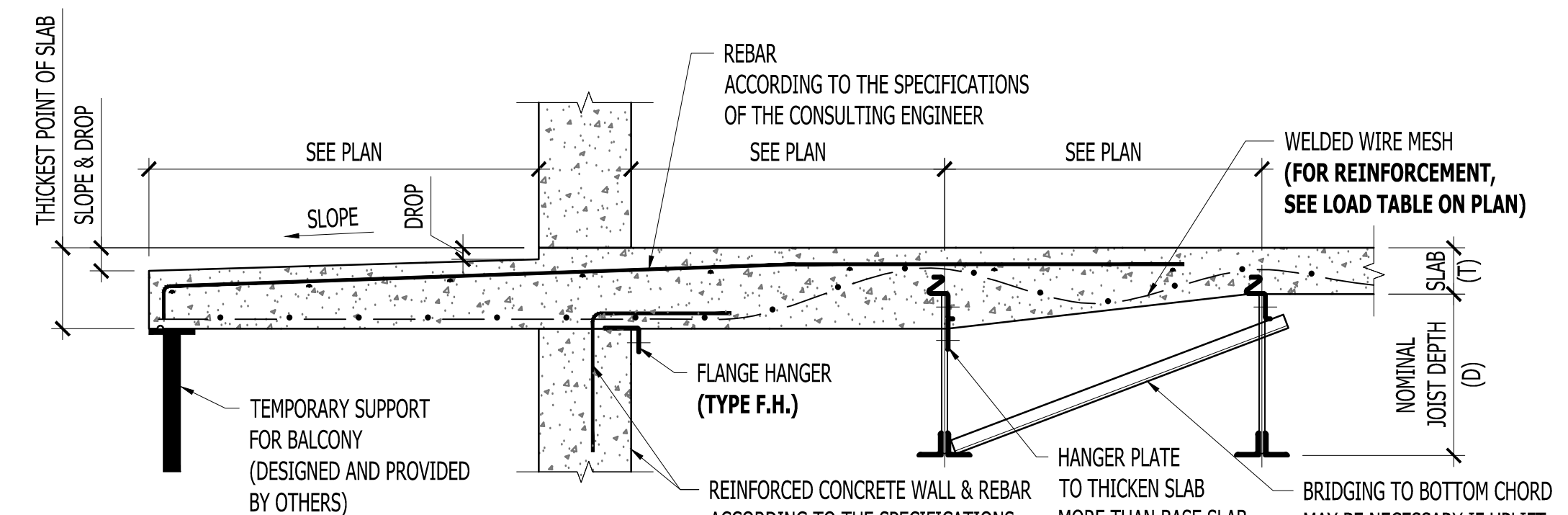


T+1/4" = SLAB THICKNESS + SHOE THICKNESS

**PERPENDICULAR TO A CONCRETE WALL  
 WITH MINI JOIST**

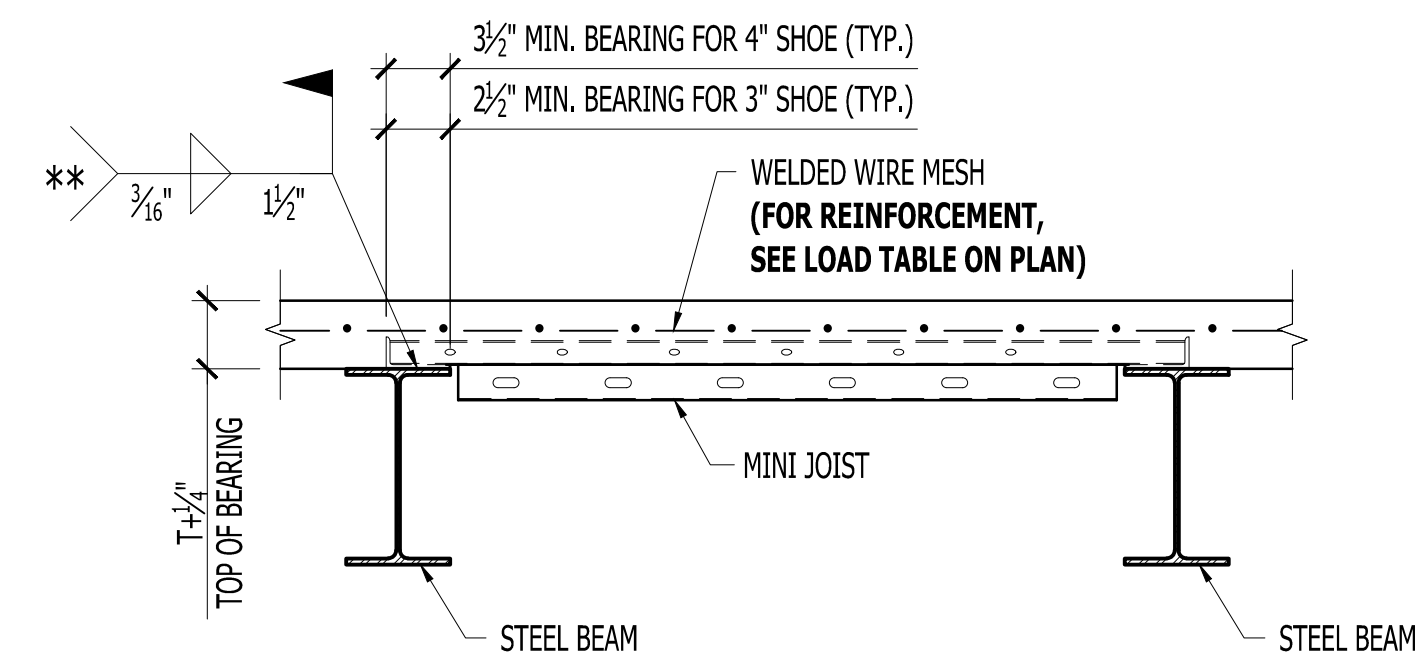


**PERPENDICULAR TO A CONCRETE WALL  
 WITH CANTILEVERED BALCONY**



**IMPORTANT:**  
 BRIDGING ANGLES TO BE INSTALLED AFTER FORMS ARE STRIPPED BUT BEFORE REMOVAL OF BALCONY TEMPORARY SUPPORTS.

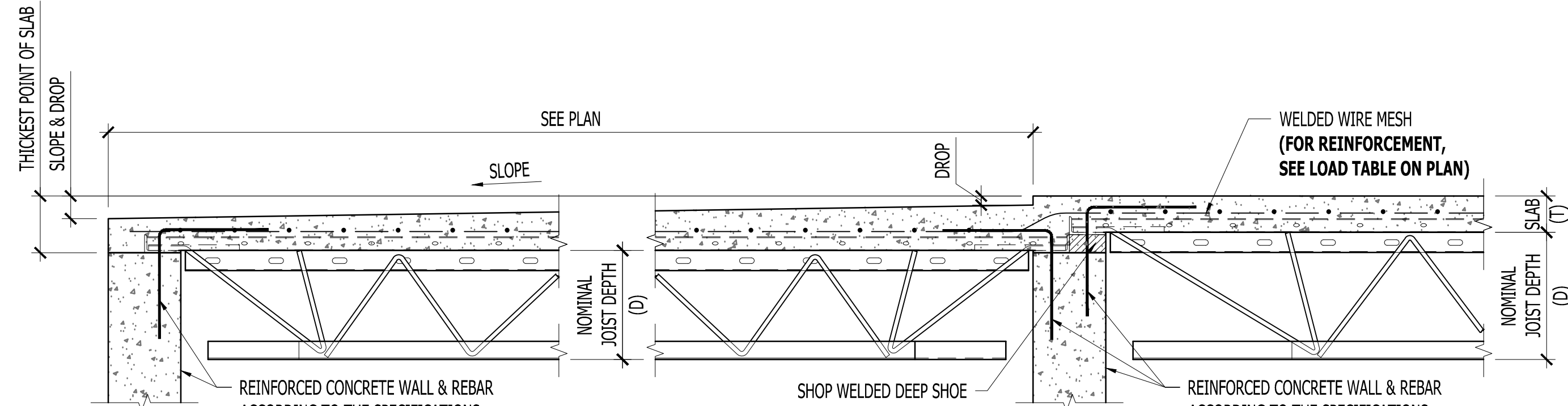
**PARALLEL TO A CONCRETE WALL WITH  
 CANTILEVERED BALCONY**



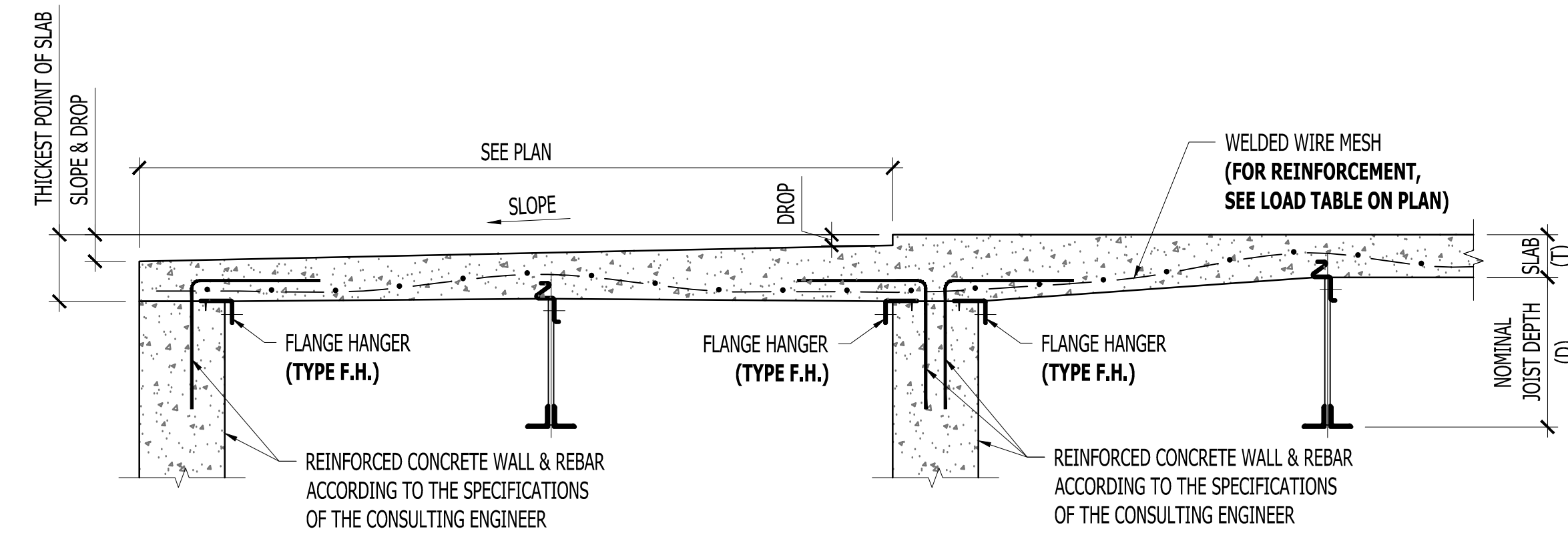
T+1/4" = SLAB THICKNESS + SHOE THICKNESS

\*\* WELD JOIST TO STEEL BEAM OR WITH THE AGREEMENT OF THE CONSULTING ENGINEER, USE 2 HILTI (X-U22) OR EQUIVALENT, INSTALLED ACCORDING TO THE MANUFACTURING SPECIFICATIONS.

**MINI JOIST PERPENDICULAR TO STEEL BEAMS**



**PERPENDICULAR TO A CONCRETE WALL  
 AT A BALCONY**



**PARALLEL TO A CONCRETE WALL  
 AT A BALCONY**