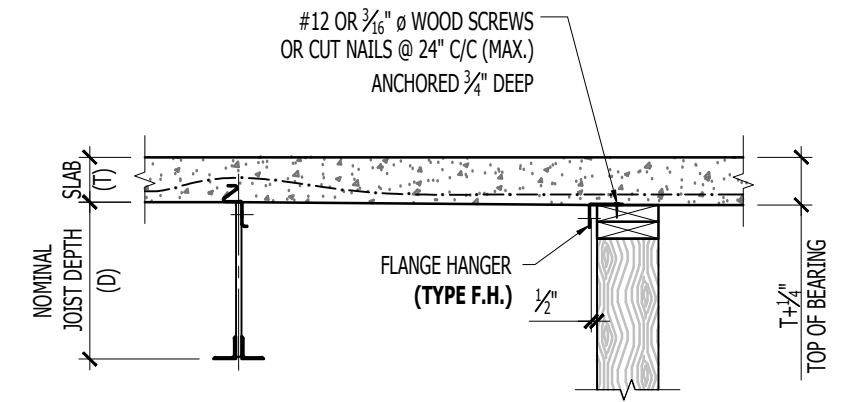
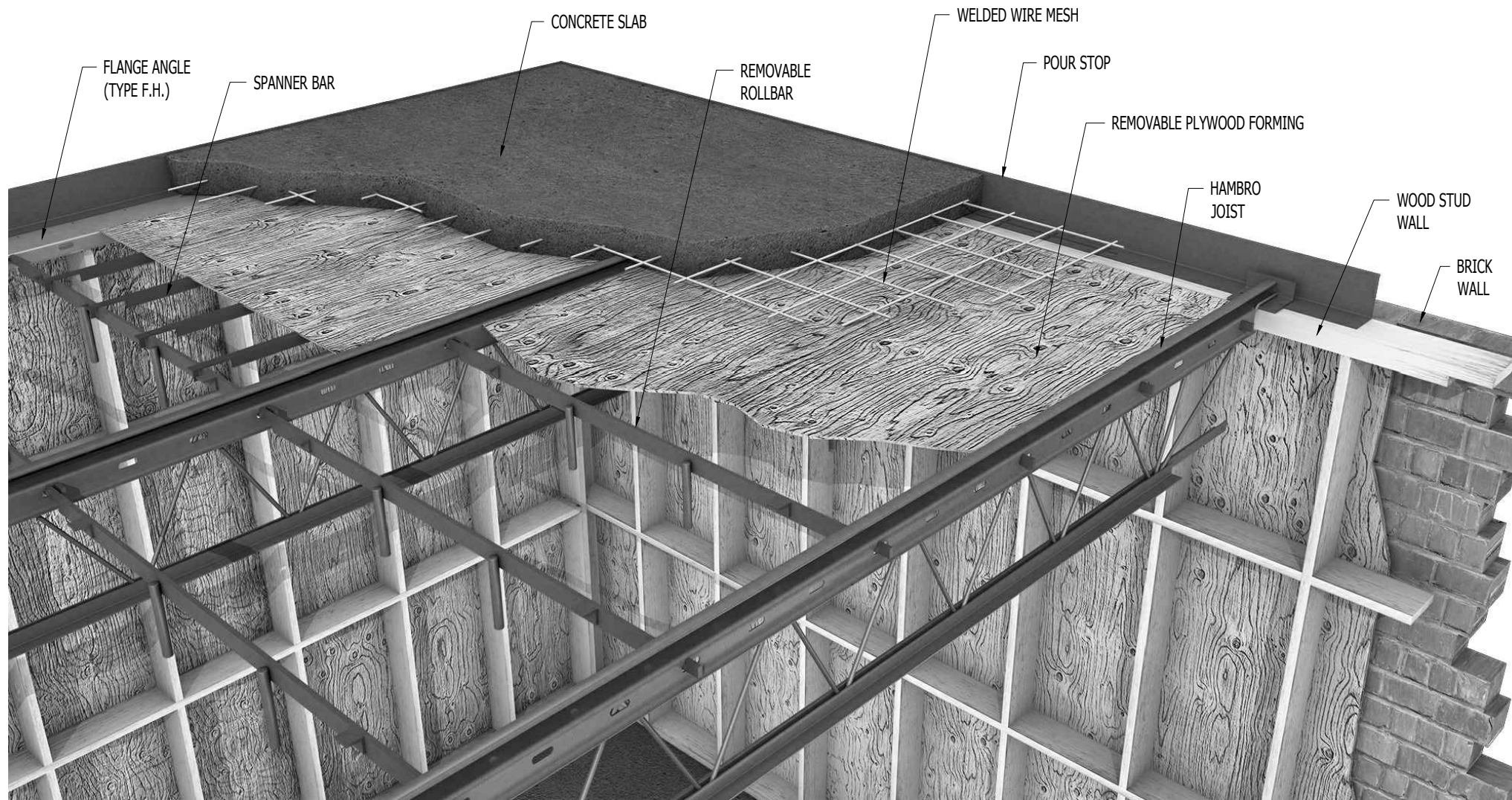
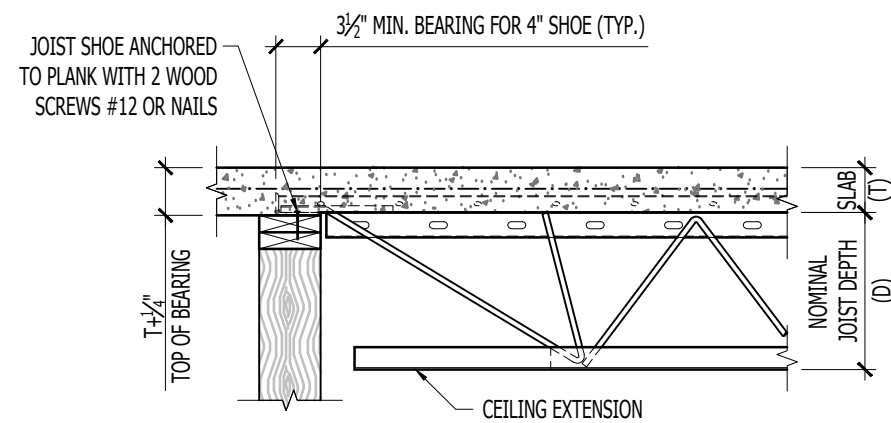


D500 STANDARD SECTIONS TO WOOD WALL

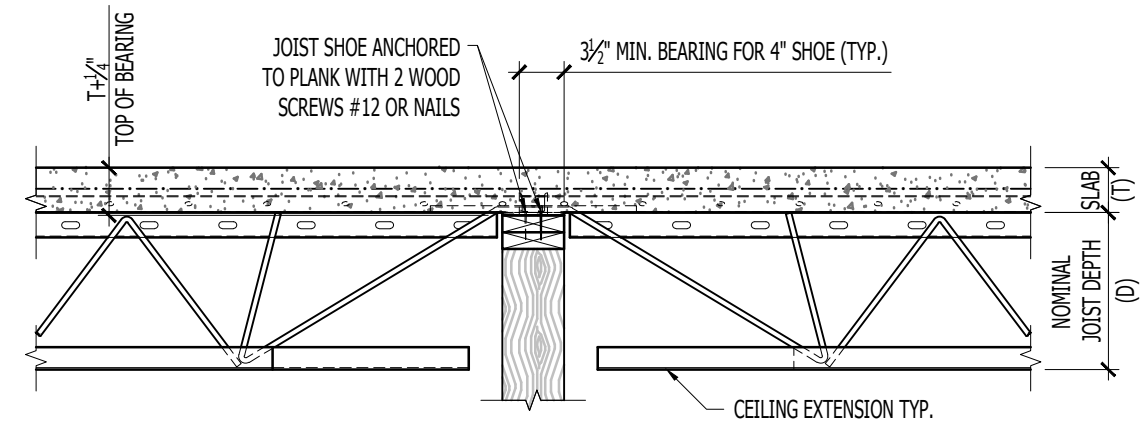
NOTE:
WOOD WALL AND TOP PLATE CAPACITY ACCORDING TO THE STRUCTURAL DRAWINGS



T + 1/4" = SLAB THICKNESS + SHOE THICKNESS
PARALLEL TO A WOOD WALL



T + 1/4" = SLAB THICKNESS + SHOE THICKNESS
PERPENDICULAR TO A WOOD WALL



T + 1/4" = SLAB THICKNESS + SHOE THICKNESS
PERPENDICULAR TO A WOOD WALL