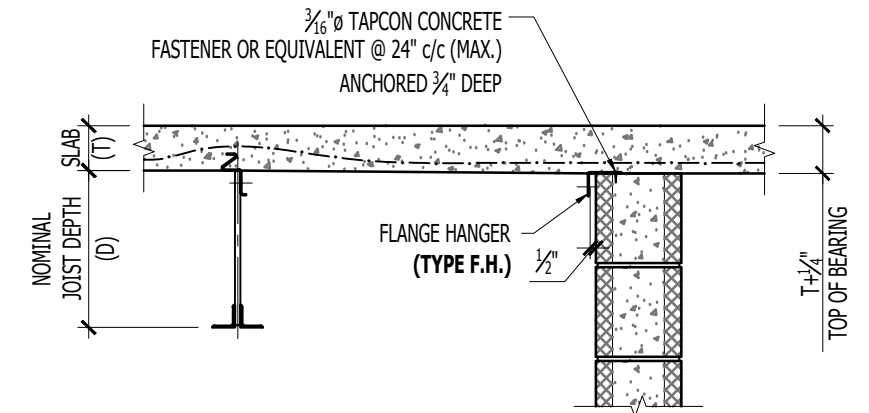


# D500 STANDARD SECTIONS TO MASONRY WALL

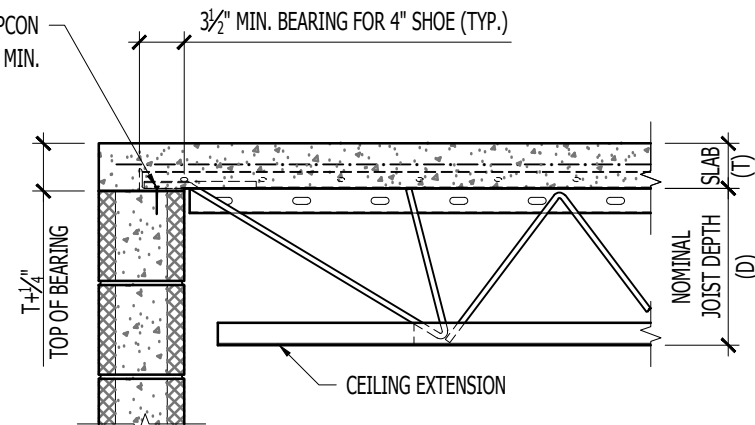
NOTE:

- 1) SOLID MASONRY WALL ACCORDING TO THE STRUCTURAL DRAWINGS.
- 2) REFER TO STRUCTURAL DRAWINGS FOR ALL DETAILS REGARDING THE SLAB/WALL CONNECTION.



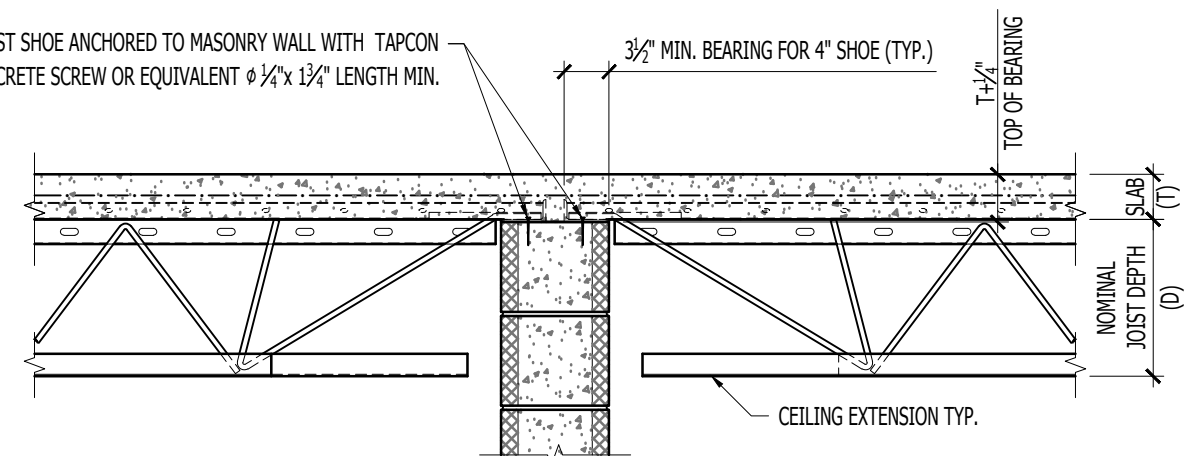
$T + \frac{1}{4}$ " = SLAB THICKNESS + SHOE THICKNESS  
**PARALLEL TO A MASONRY WALL**

JOIST SHOE ANCHORED TO MASONRY WALL WITH TAPCON CONCRETE SCREW OR EQUIVALENT  $\phi \frac{1}{4}$ " x  $1\frac{3}{4}$ " LENGTH MIN.



$T + \frac{1}{4}$ " = SLAB THICKNESS + SHOE THICKNESS  
**PERPENDICULAR TO A MASONRY WALL**

JOIST SHOE ANCHORED TO MASONRY WALL WITH TAPCON CONCRETE SCREW OR EQUIVALENT  $\phi \frac{1}{4}$ " x  $1\frac{3}{4}$ " LENGTH MIN.



$T + \frac{1}{4}$ " = SLAB THICKNESS + SHOE THICKNESS  
**PERPENDICULAR TO A MASONRY WALL**