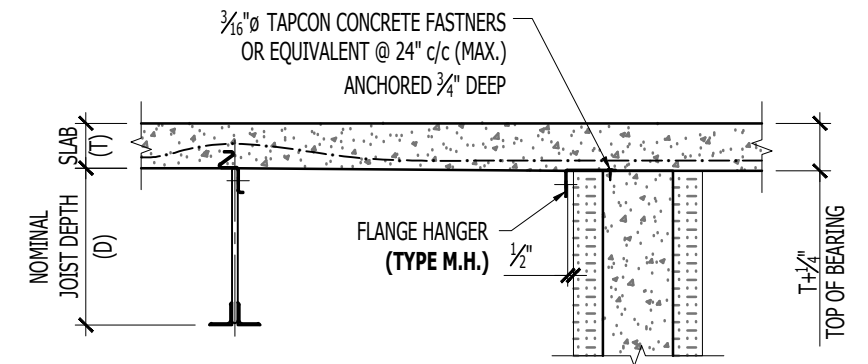
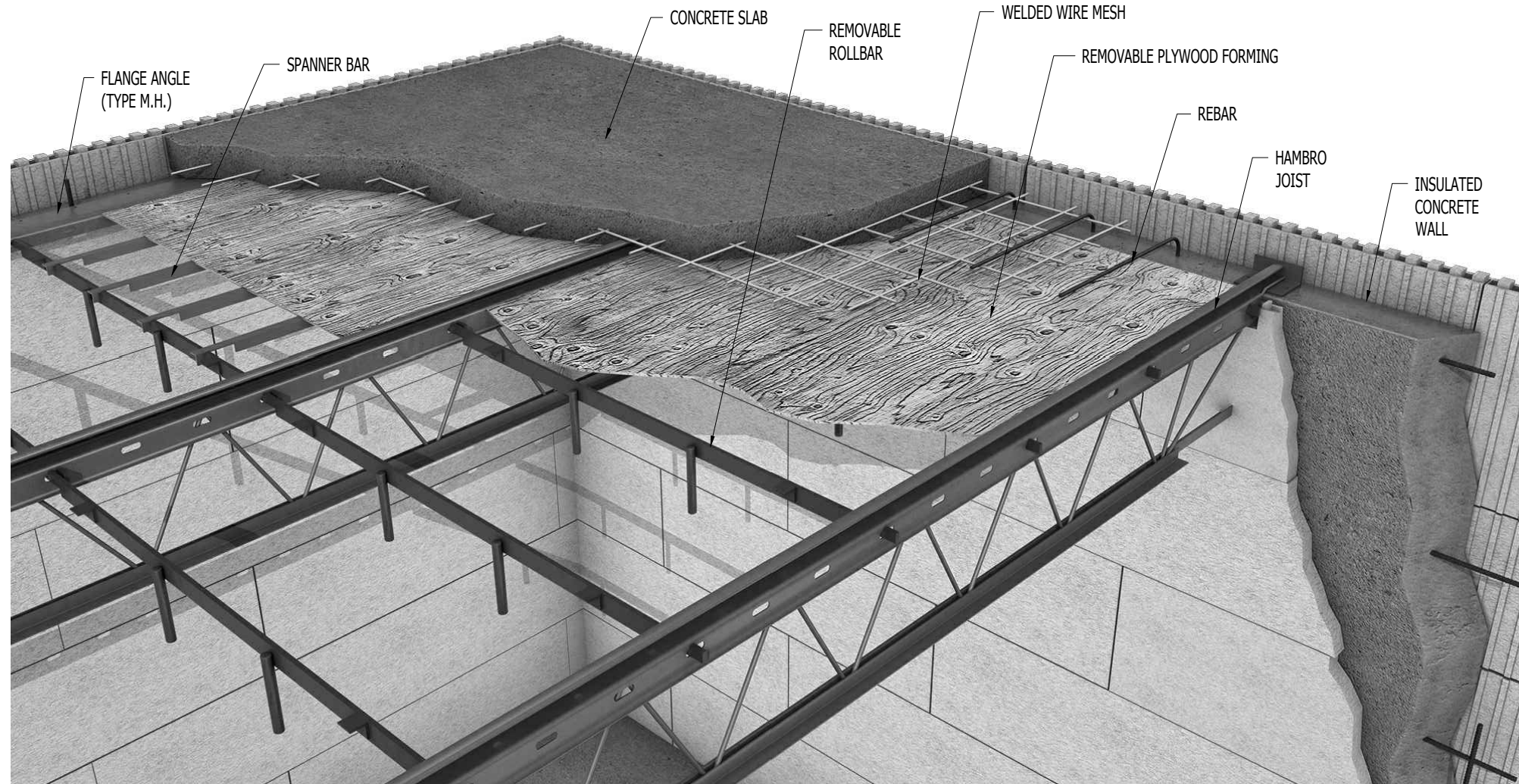
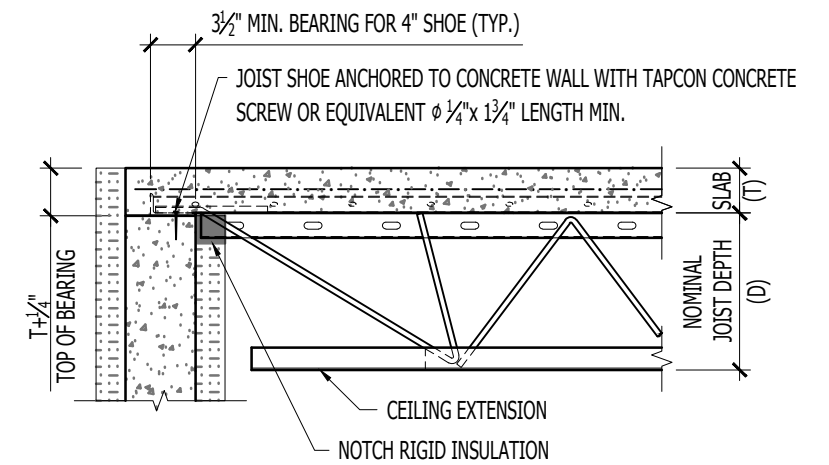


# D500 STANDARD SECTIONS TO INSULATED CONCRETE WALL

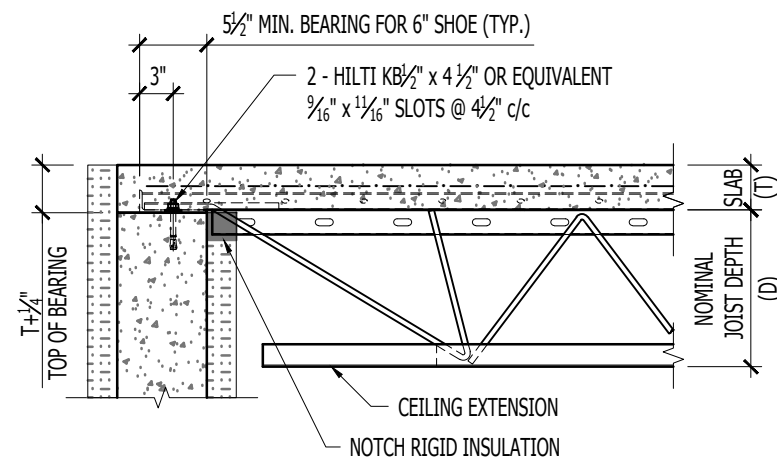
NOTE:  
 1) INSULATED CONCRETE WALL ACCORDING TO THE STRUCTURAL DRAWINGS.  
 2) REFER TO STRUCTURAL DRAWINGS FOR ALL DETAILS REGARDING THE SLAB/WALL CONNECTION.



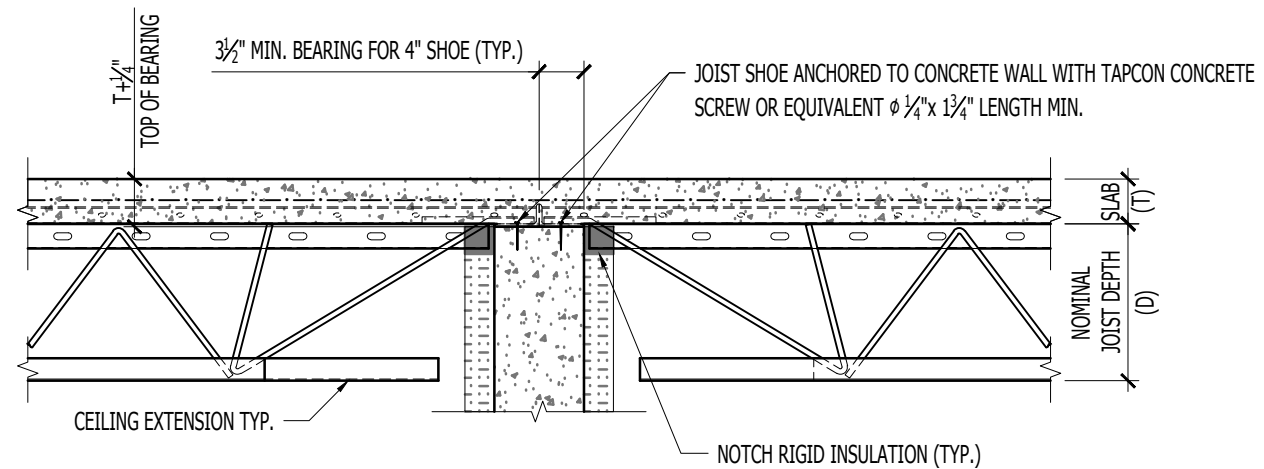
$T + \frac{1}{4}'' = \text{SLAB THICKNESS} + \text{SHOE THICKNESS}$   
**PARALLEL TO AN INSULATED CONCRETE WALL**



$T + \frac{1}{4}'' = \text{SLAB THICKNESS} + \text{SHOE THICKNESS}$   
**PERPENDICULAR TO AN INSULATED CONCRETE WALL**



$T + \frac{1}{4}'' = \text{SLAB THICKNESS} + \text{SHOE THICKNESS}$   
 (  $\frac{TJ}{*}$  ) **BOLTED JOIST ON INSULATED CONCRETE WALL**



$T + \frac{1}{4}'' = \text{SLAB THICKNESS} + \text{SHOE THICKNESS}$   
**PERPENDICULAR TO AN INSULATED CONCRETE WALL**