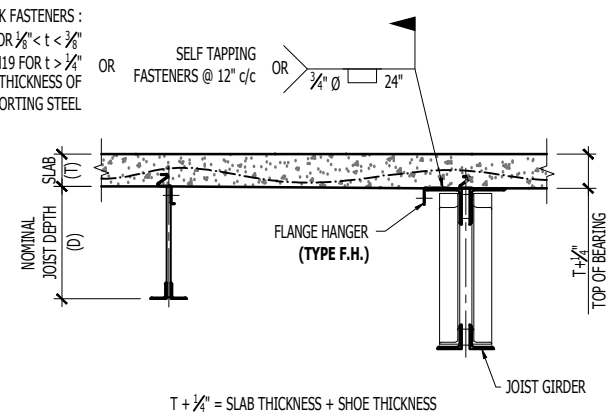


D500 STANDARD SECTIONS TO HAMBRO GIRDER

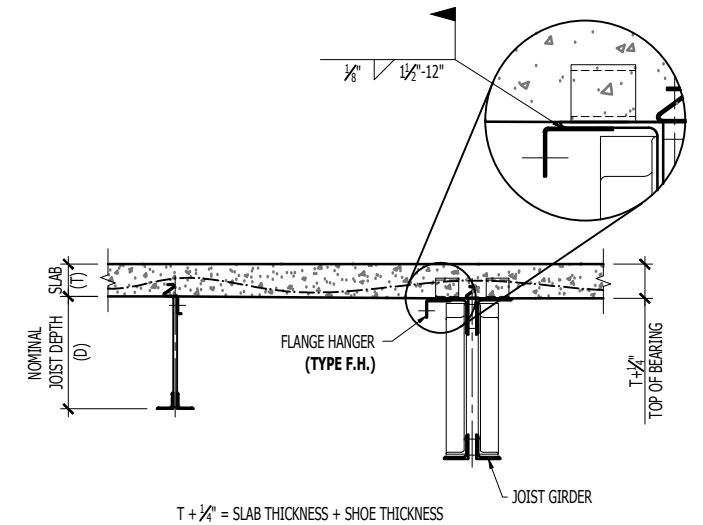
NOTE:
1) WHEN MULTIPLE FLANGE ANGLE (F.H.) CONNECTION OPTIONS ARE SPECIFIED, THE CHOSEN ONE MUST BE IN ACCORDANCE WITH THE PROJECT CONSULTING ENGINEER.



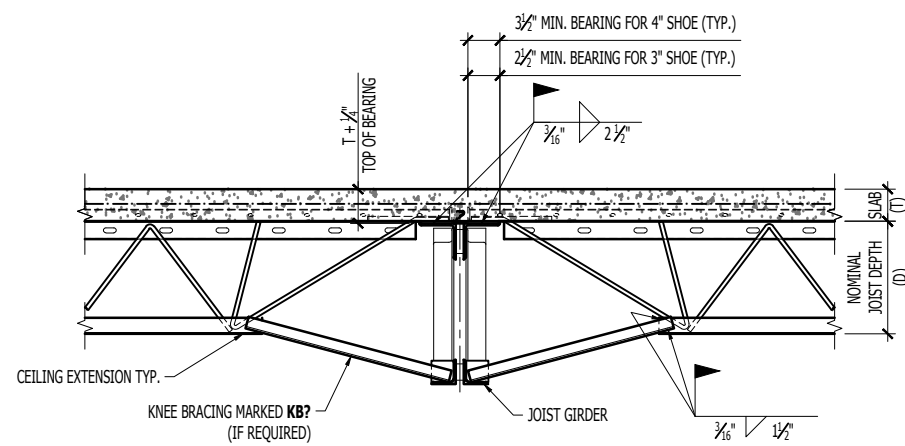
HILTI STEEL DECK FASTENERS:
-HSN24 FOR $\frac{3}{8}'' < t < \frac{3}{4}''$
-EPN19 FOR $t > \frac{3}{4}''$
t=MINIMUM THICKNESS OF THE SUPPORTING STEEL



PARALLEL TO A GIRDER WITHOUT SHEAR CONNECTORS

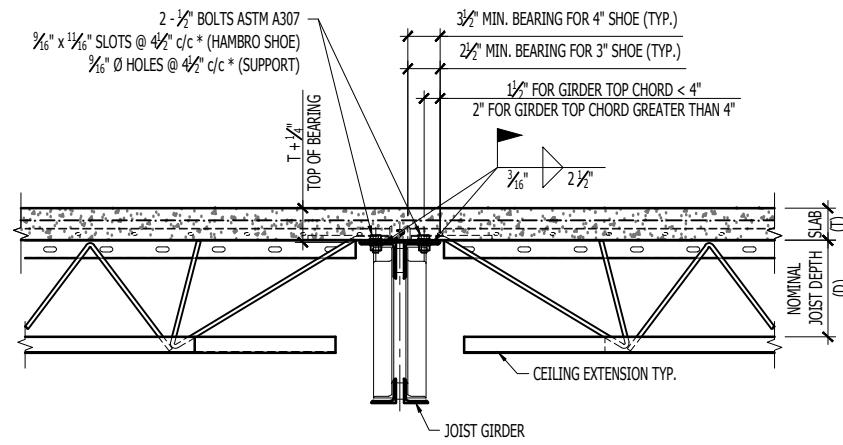


PARALLEL TO A GIRDER WITH SHEAR CONNECTORS



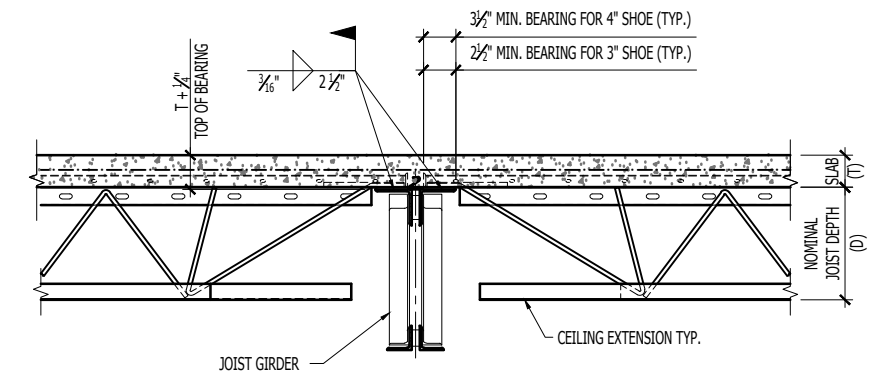
STANDARD KNEE BRACING CONNECTION ON GIRDER

(SEE — ON DRAWING)
(SIZE TO BE DETERMINED)



BOLTED JOISTS TO HAMBRO GIRDER

*WHEN DEEP SHOE, THE c/c OF HOLE IS DIFFERENT, CONSULT THE APPROPRIATE DETAILS ON PLAN



PERPENDICULAR TO A GIRDER