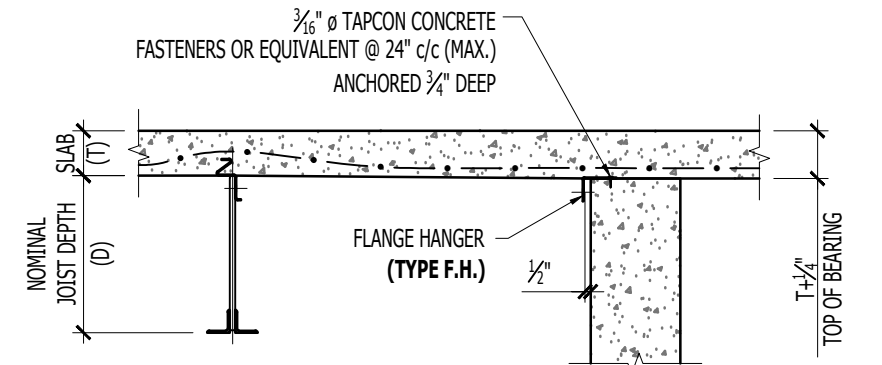
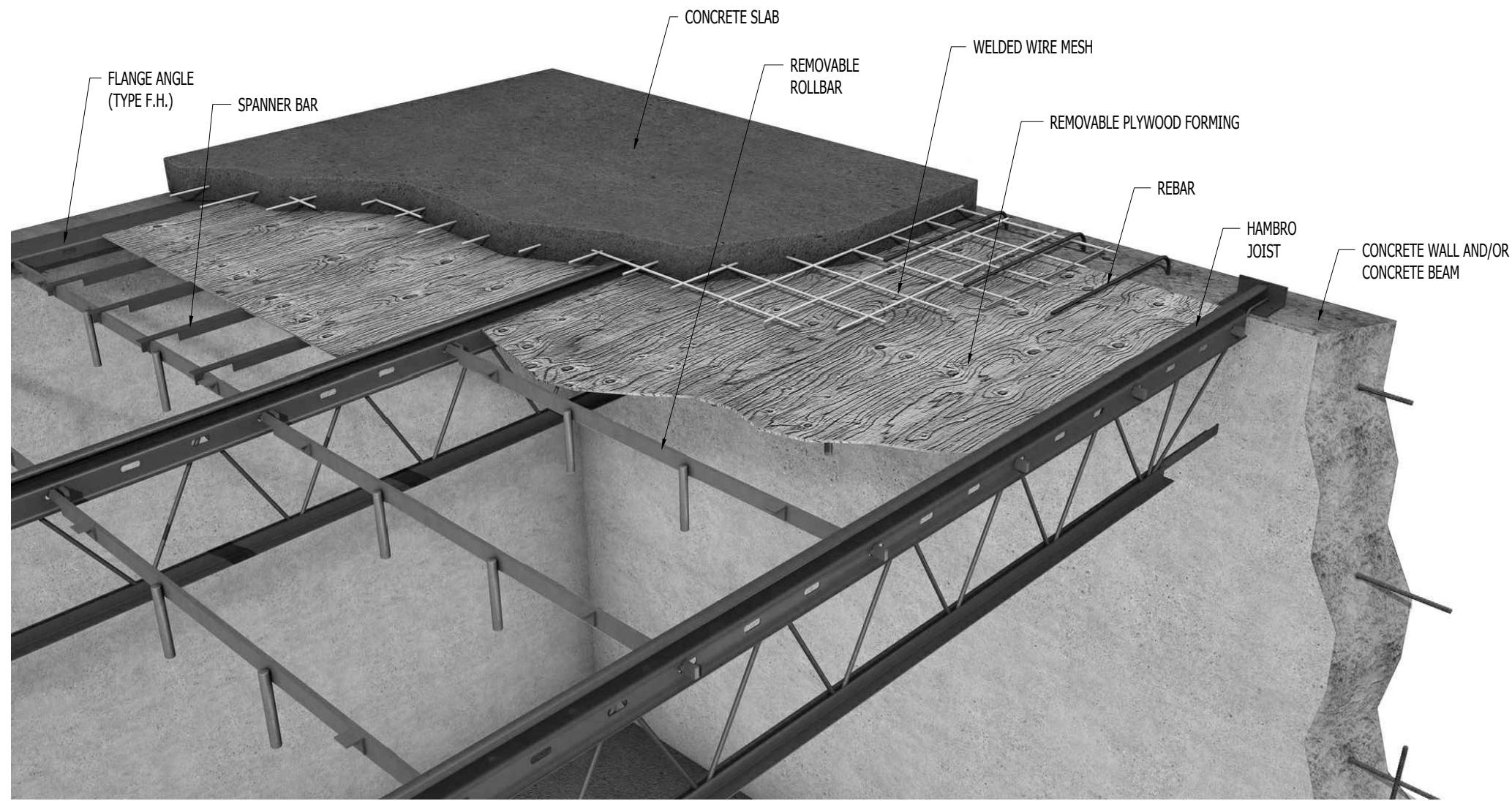
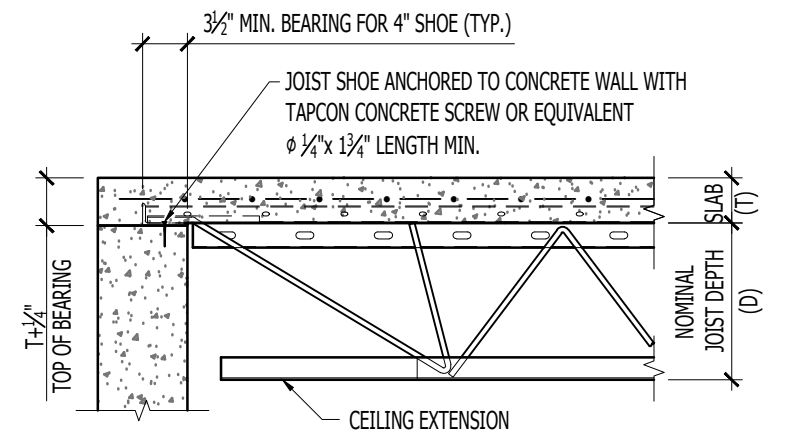


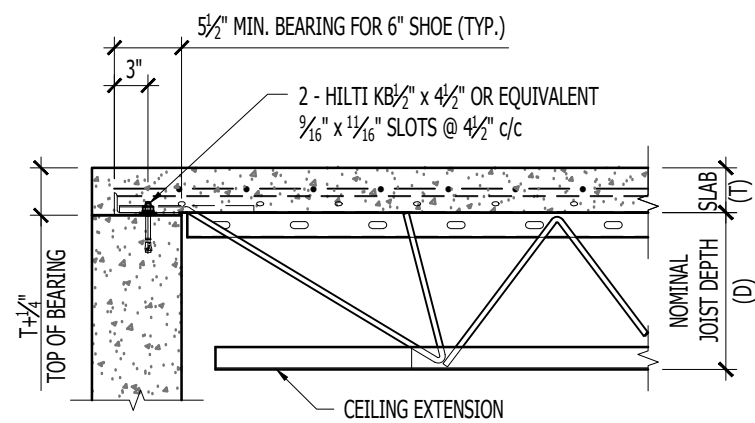
D500 STANDARD SECTIONS TO CONCRETE WALL



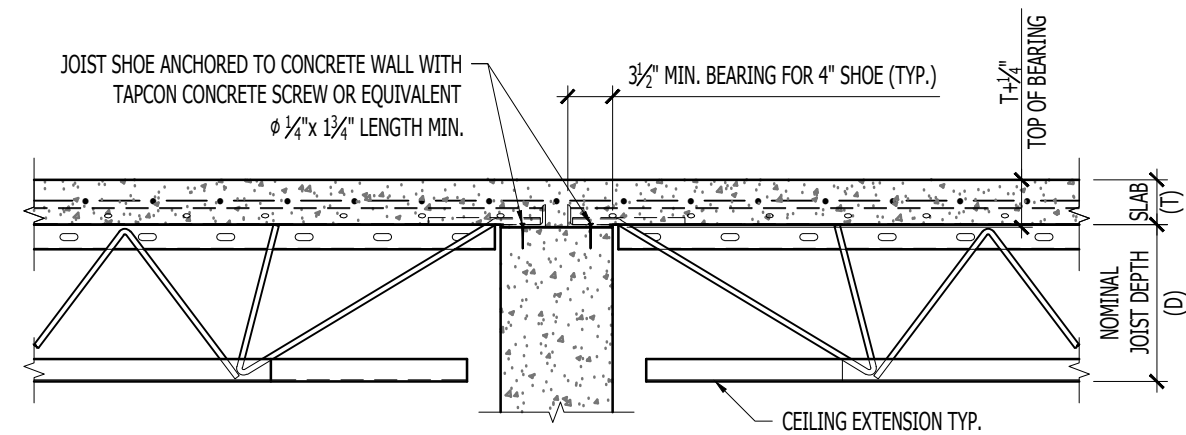
$T + \frac{1}{4}$ " = SLAB THICKNESS + SHOE THICKNESS
PARALLEL TO A CONCRETE WALL



$T + \frac{1}{4}$ " = SLAB THICKNESS + SHOE THICKNESS
PERPENDICULAR TO A CONCRETE WALL



$T + \frac{1}{4}$ " = SLAB THICKNESS + SHOE THICKNESS
 ($\frac{T}{*}$) **BOLTED JOIST ON CONCRETE WALL**



$T + \frac{1}{4}$ " = SLAB THICKNESS + SHOE THICKNESS
PERPENDICULAR TO A CONCRETE WALL