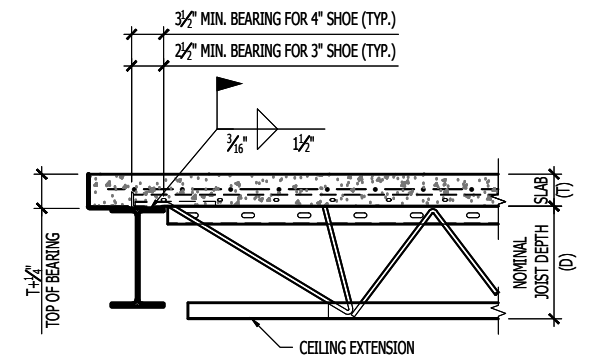
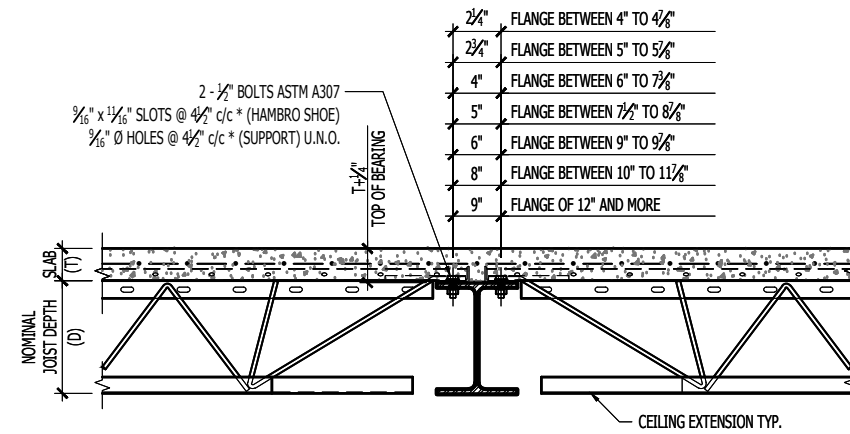
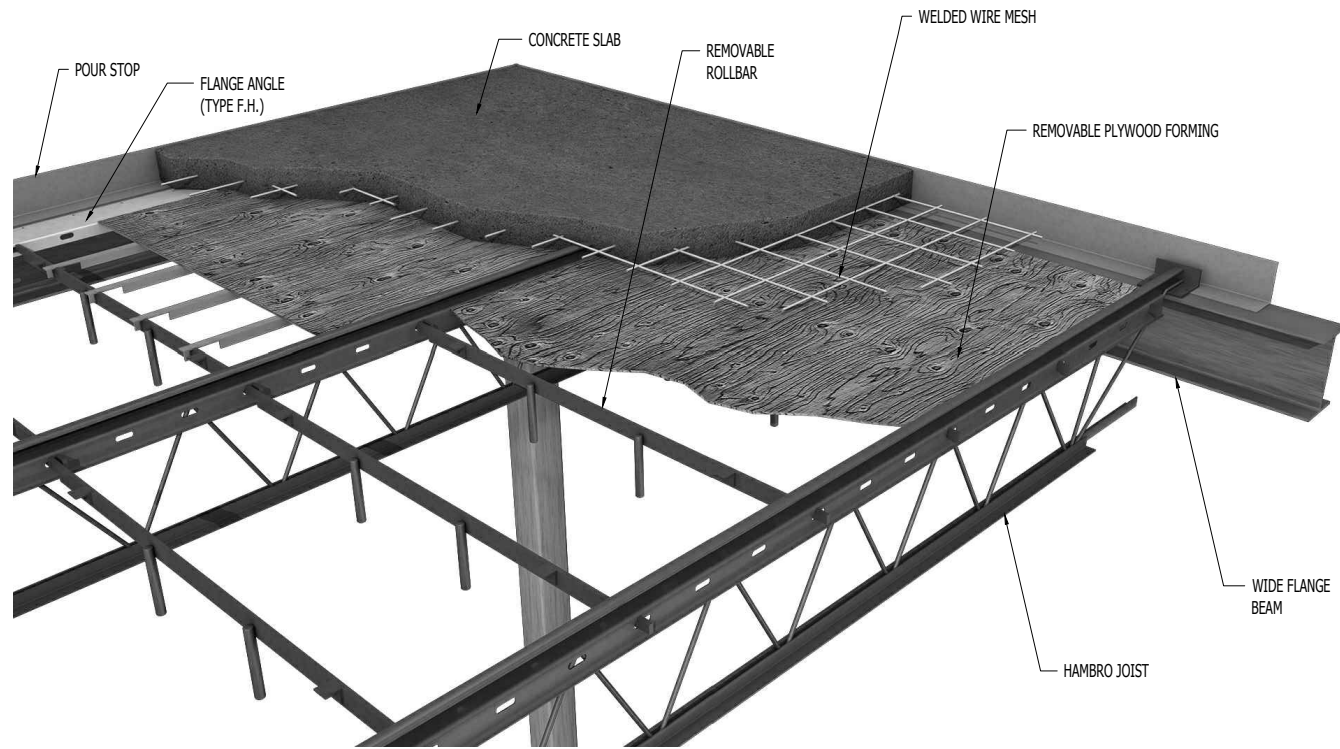
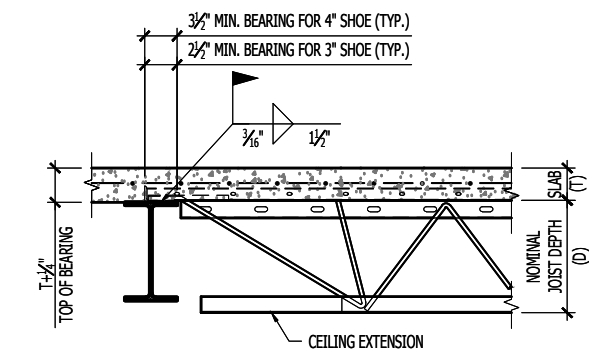


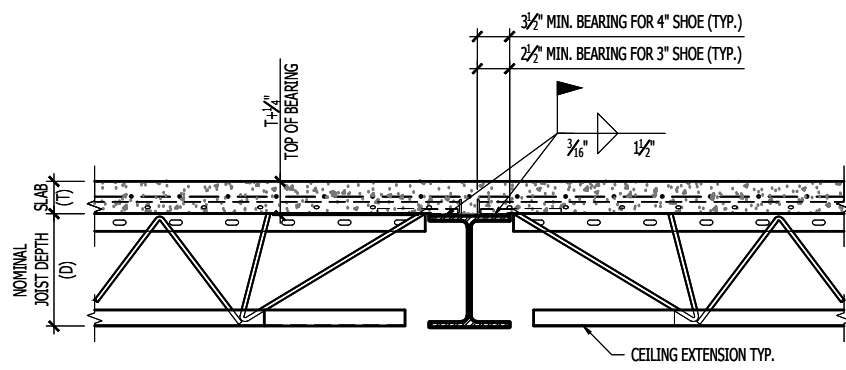
**D500 STANDARD SECTIONS TO STEEL**



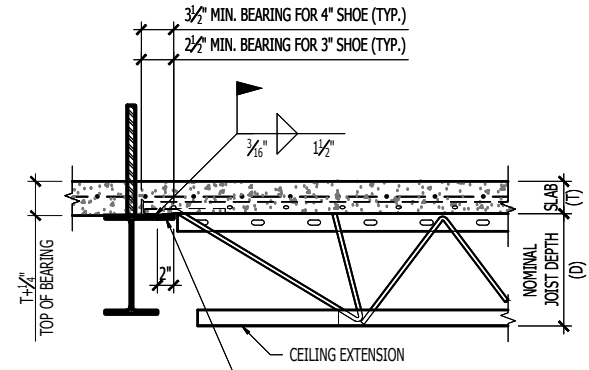
$T + \frac{1}{4}'' = \text{SLAB THICKNESS} + \text{SHOE THICKNESS}$   
**PERPENDICULAR TO A STEEL BEAM**



$T + \frac{1}{4}'' = \text{SLAB THICKNESS} + \text{SHOE THICKNESS}$   
**PERPENDICULAR TO A STEEL BEAM**

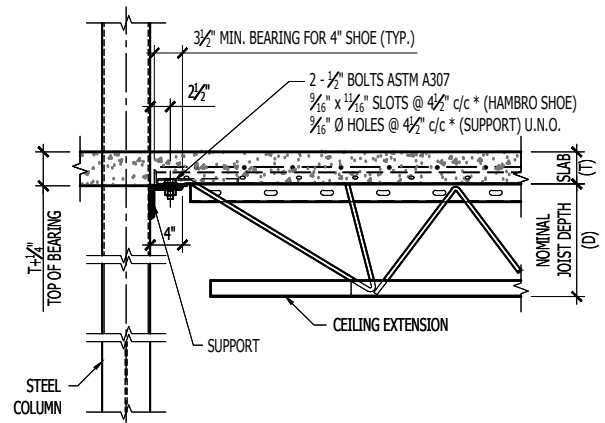


$T + \frac{1}{4}'' = \text{SLAB THICKNESS} + \text{SHOE THICKNESS}$   
**PERPENDICULAR TO A STEEL BEAM**

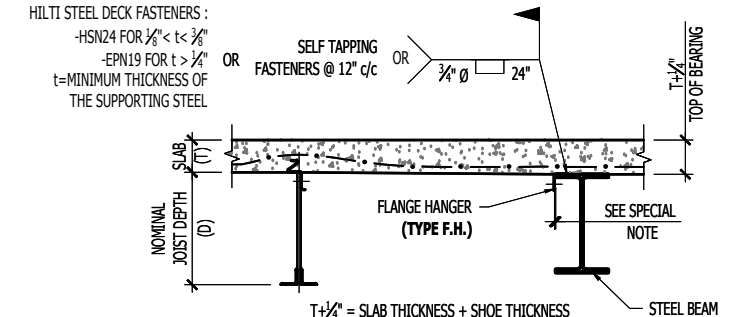


$T + \frac{1}{4}'' = \text{SLAB THICKNESS} + \text{SHOE THICKNESS}$   
**PERPENDICULAR TO A STEEL BEAM WITH BRACING**

$T + \frac{1}{4}'' = \text{SLAB THICKNESS} + \text{SHOE THICKNESS}$   
**BOLTED JOISTS ON STEEL BEAM**  
\* WHEN DEEP SHOE, THE c/c OF HOLE IS DIFFERENT, CONSULT THE APPROPRIATE DETAILS ON PLAN



$T + \frac{1}{4}'' = \text{SLAB THICKNESS} + \text{SHOE THICKNESS}$   
**BOLTED JOISTS ON STEEL COLUMN**  
\* WHEN DEEP SHOE, THE c/c OF HOLE IS DIFFERENT, CONSULT THE APPROPRIATE DETAILS ON PLAN



$T + \frac{1}{4}'' = \text{SLAB THICKNESS} + \text{SHOE THICKNESS}$   
**PARALLEL TO A STEEL BEAM**

SPECIAL NOTE: IF THE FLANGE THICKNESS IS MORE THAN  $\frac{1}{2}''$  INSTALL THE FLANGE HANGER AT  $\frac{1}{2}''$  TO THE FACE OF FLANGE

HILTI STEEL DECK FASTENERS:  
-HSN24 FOR  $\frac{1}{8}'' < t < \frac{3}{8}''$   
-EPN19 FOR  $t > \frac{3}{8}''$   
t=MINIMUM THICKNESS OF THE SUPPORTING STEEL

OR SELF TAPPING FASTENERS @ 12" c/c OR  $\frac{3}{4}'' \emptyset$  24"